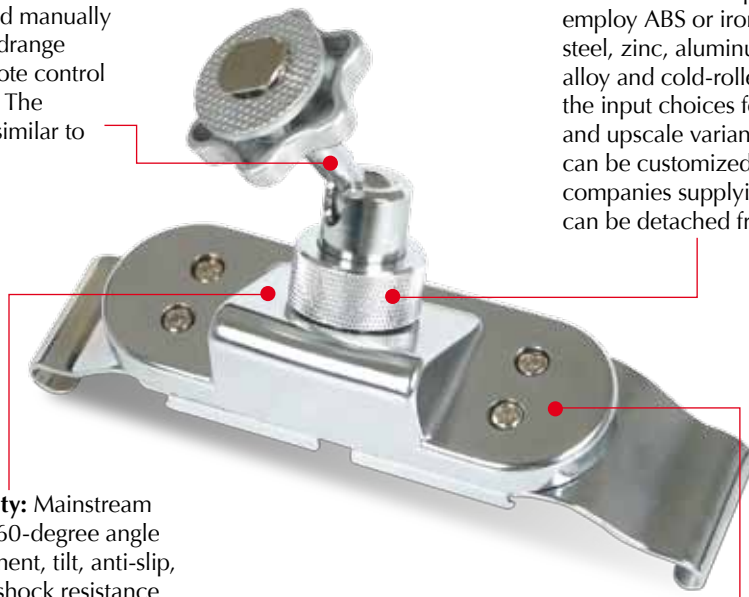


Ease of installation, safety drive R&D

Typical parts & materials

- **Arm:** Mainstream releases typically have one to six arms. These can be adjusted manually in entry-level and midrange types, and by IR remote control in high-end versions. The material options are similar to those for the holder.



- **Holder:** Low-end products employ ABS or iron. Stainless steel, zinc, aluminum, AlMg alloy and cold-rolled steel are the input choices for midlevel and upscale variants. The design can be customized, with some companies supplying models that can be detached from the base.

- **Safety & security:** Mainstream units support 360-degree angle rotation adjustment, tilt, anti-slip, and water and shock resistance for enhanced viewing, safety and security. Manual adjustment is also enabled. Upscale releases have anti-theft and IR remote control.

- **Base:** The design for the base is generally customizable, with screws used for mounting. Entry-level products adopt ABS or iron, while midrange and high-end releases use stainless steel, zinc, aluminum, AlMg alloy or cold-rolled steel.

Price range (per unit)	Basic features
\$1 to \$3	Suction-cup, dashboard or headrest type; for 3.5 to 7in LCD TVs; 180-degree angle rotation, tilt; 0.2 to 2kg load capacity; ABS or iron
\$3.50 to \$7	Suction-cup, dashboard or headrest type; for 8 to 12in LCD TVs; 360-degree angle rotation, tilt; anti-slip, shock-, water-resistant, lock structure; 1 to 6kg load capacity; ABS, iron, stainless steel or zinc alloy
Above \$7	Stand, ceiling- or wall-mount type; for 13 to 29in CRT/LCD TVs; tilt; anti-slip, -theft, shock-, water-resistant, lock structure, IR remote control; 4 to 45kg load capacity; stainless steel, aluminum, AlMg alloy or cold-rolled steel

View related products: [Car antennas](#), [car chargers](#), [car GPS trackers](#)

Top trends

- **Ease of use & safety:** With product development underscoring convenience, makers are releasing easy-to-install and -disassemble models. Foldable variants are likewise rising. For improved safety, more units integrate anti-theft and -slip features. There are also water- and shock-resistant versions.
- **Load capacity:** Small car TV mounts can support up to 6kg, while large releases 45kg TV sets. The last are VESA-compliant.
- **Value-added features:** Suppliers are raising product performance by incorporating 360-degree angle rotation and IR remote controls. To enhance visual appeal, matting and plating are adopted for the finish.
- **Price forecast:** Despite the strengthening of the yuan, rising labor costs and stiff competition, makers will keep product quotes at current levels in 1H12.
- **Export & sales projection:** Increased shipments to key destinations Europe, the US and Japan are expected to push up revenue by about 5 percent. Companies will also boost presence in emerging markets in the Asia-Pacific region and South America.

Read more news online

- [Car antennas:](#) Makers emphasize enhanced compatibility, sensitivity
- [Car GPS receivers:](#) Upgraded IC solutions advance line

www.globalsources.com/electronics

China Sourcing Reports

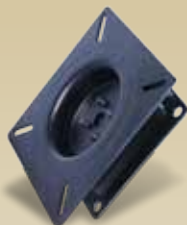
Find in-depth profiles of verified suppliers on

www.ChinaSourcingReports.com



Product gallery

View more [car TV mounts](#)



Cactus Audiovisual Engineering Equipment Fty

Model: GSM01

Description: Wall-mount type; for 14 to 26in LCD TVs; VESA 75x75/100x100mm; fixed angle; 20kg load capacity; steel



Chaozhou Zhanhong Electronic Co. Ltd

Model: ZH-802

Description: Headrest type; for 5 to 12in LCD TVs, monitors; multiangle swivel; 3kg load capacity; ABS, nylon 66

[INQUIRE NOW](#)



Qest Group Ltd

Model: MHR01

Description: Headrest type; for 5 to 10in LCD TVs, monitors; 3kg load capacity; patented adapter sleeves; easy installation; 130g



Shenzhen Dongshun Technology Co. Ltd

★★★★★

Model: B608

Description: Headrest type; for 5 to 12in LCD TVs, monitors; adjustable angle; 3.5kg load capacity; zinc, steel

[INQUIRE NOW](#)



Shenzhen Vcan Electronic Co. Ltd

★★★★★

Model: BK-121

Description: Headrest type; 360-degree rotation; 1.5kg load capacity; 650g

[INQUIRE NOW](#)



Top Fame Electronics Ltd

★★★★★

Model: MS-01

Description: Dashboard type; for 5 to 9in LCD TVs, monitors; 360-degree adjustable angle; 3M adhesive; anti-shock; iron, ABS

[INQUIRE NOW](#)