



FU WANG
ELECTRIC MANUFACTURING CO., LTD.

FULLY MOTOR CO. LIMITED

DESCRIPTION FRS-7712SAC

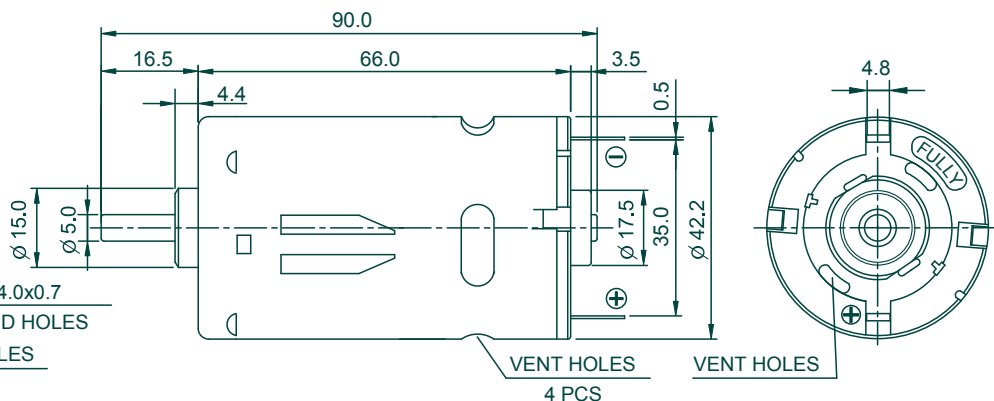
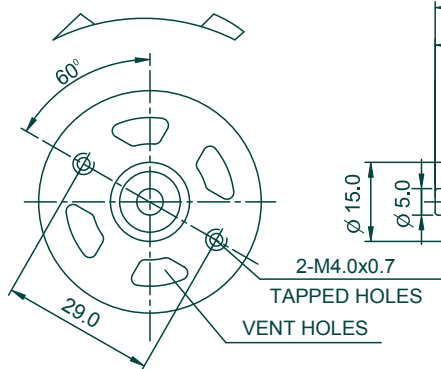


APPLICATIONS:

- Hand Blender
- Massager
- Coffee Mixer
- Portable Massager
- Electric Drill

DRAWING

DIRECTION OF ROTATION



WEIGHT~305g(APPROX)

Unit in Millimetres

PERFORMANCE DATA

OUTPUT : APPROX 1.0 ~ 120W

MODEL	VOLTAGE		NO LOAD		AT MAXIMUM EFFICIENCY					AT MAXIMUM POWER			STALL		NOISE (Max) dBA 300mm
	OPERATING RANGE	NOMINA	SPEED	CURRENT	SPEED	CURRENT	TORQUE	OUTPUT	EFF	SPEED	CURRENT	TORQUE	TORQUE	CURRENT	
	V	V	R.P.M	A	R.P.M	A	gf.cm	W	%	R.P.M	A	gf.cm	gf.cm	A	
FRS-7712SAC-17100	80~120	110	12800	0.18	10600	0.45	300	32.6	65.9	6400	0.965	872.5	1745	1.751	83
FRS-7712SAC-10280	100~140	115	4050	0.05	3000	0.18	500	15.3	62.0	2025	0.301	964	1928	0.551	72
FRS-7712SAC-1970F	100~150	120	19000	0.21	15500	0.95	500	80.0	55.0	9500	2.208	1350	2700	4.206	75
FRS-7712SAC-10205	110~240	220	12280	0.07	9410	0.23	400	38.6	76.3	6140	0.412	855.5	1711	0.754	82
FRS-7712SAC-10230	100~230	220	10400	0.06	8590	0.17	290	25.5	68.3	5200	0.376	833	1666	0.692	83
FRS-7712SAC-10220C	200~240	230	11870	0.06	9650	0.16	300	29.7	80.7	5935	0.327	802	1604	0.595	85
FRS-7712SAC-10185NF	110~230	230	15300	0.12	12000	0.32	350	43.0	58.5	7650	0.584	811.5	1623	1.047	85
FRS-7712SAC-10230	110~240	230	11300	0.09	9100	0.19	320	29.9	68.3	5650	0.347	821.5	1643	0.603	80

HONG KONG OFFICE : 12/F., J GOLD KING IND. BLDG., 35-41 TAI LIN PAI RD., KWAI CHUNG, N.T., H.K.

TEL: (852) 2424 0763 FAX: (852) 2480 1684

CHINA FACTORY : YAN TIAN, FENGGANG, DONGGUAN, GUANGDONG, CHINA.

TEL: (86) 769-777 3227 FAX: (86) 769-777 1791

© COPYRIGHT
FU WANG ELECTRIC MANUFACTURING CO., LTD.
FULLY MOTOR CO. LIMITED All Rights Reserved, Infringers Will Be

URL: <http://www.fullymotor.com>
E-MAIL: sales@fullymotor.com