



FU WANG
ELECTRIC MANUFACTURING CO., LTD.

FULLY MOTOR CO. LIMITED

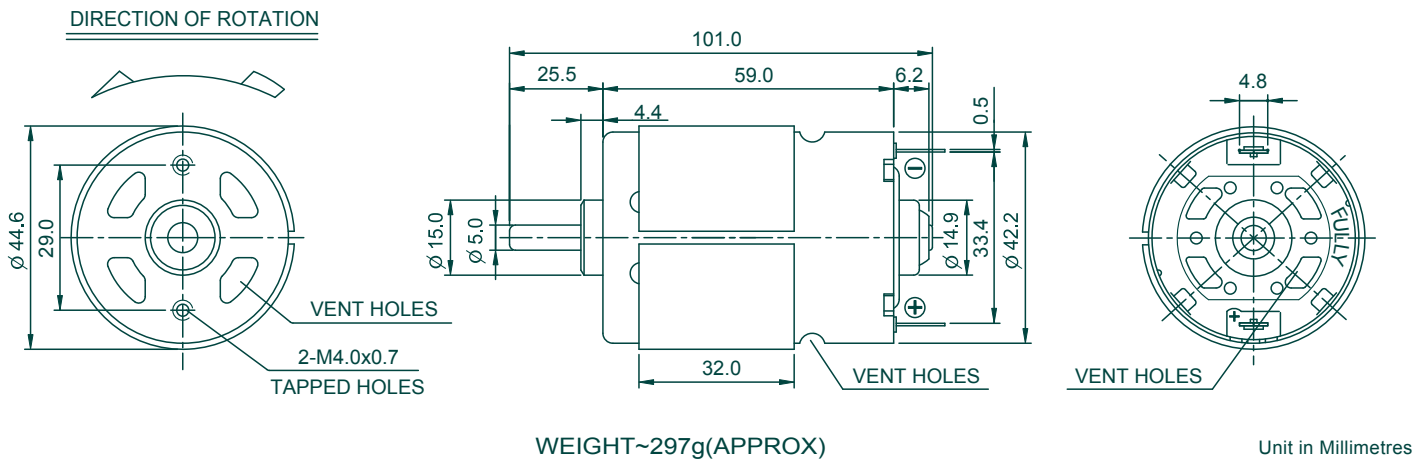


DESCRIPTION FRS-755PM

APPLICATIONS:

- Toiler Hush Motoring
- Paper Shredder
- Sewing Machine
- Linear Actuation
- Motorized Roller

DRAWING



PERFORMANCE DATA

OUTPUT : APPROX 1.0 ~ 120W

MODEL	VOLTAGE		NO LOAD		AT MAXIMUM EFFICIENCY					AT MAXIMUM POWER			STALL		NOISE (Max) dBA 300mm
	OPERATING RANGE	NOMINA	SPEED	CURRENT	SPEED	CURRENT	TORQUE	OUTPUT	EFF	SPEED	CURRENT	TORQUE	TORQUE	CURRENT	
	V	V	R.P.M	A	R.P.M	A	gf.cm	W	%	R.P.M	A	gf.cm	gf.cm	A	
FRS-755PM-4056NF	6.0~18.	12.	434	0.5	323	2.9	80	26.	76.	217	5.19	1563.	312	9.881	72
FRS-755PM-4540F	9.0~24.	12.	830	0.9	695	5.2	65	46.	74.	415	14.1	199	399	27.35	78
FRS-755PM-5518F	7.2~16.	14.	1640	1.6	1400	9.5	58	83.	61.	820	28.5	198	396	55.54	80
FRS-755PM-3448FC	12.0~24.	24.	1010	0.6	910	2.1	41	38.	75.	505	8.17	2070.	414	15.75	80
FRS-755PM-3150	12.0~24.	24.	955	0.5	810	2.8	70	58.	86.	477	8.07	230	461	15.65	76
FRS-755PM-4041	12.0~24.	24.	1200	0.7	1100	2.2	35	39.	74.	600	10.0	2187.	437	19.45	78
FRS-755PM-2962	12.0~24.	24.	800	0.4	710	1.6	40	29.	75.	400	5.66	1777.	355	10.91	75
FRS-755PM-2774	24.0~40.	35.	955	0.3	830	1.6	52	44.	76.	477	5.43	200	400	10.55	76

HONG KONG OFFICE : 12/F., J GOLD KING IND. BLDG., 35-41 TAI LIN PAI RD., KWAI CHUNG, N.T., H.K.

TEL: (852) 2424 0763 FAX: (852) 2480 1684

CHINA FACTORY : YAN TIAN, FENGGANG, DONGGUAN, GUANGDONG, CHINA.

TEL: (86) 769-777 3227 FAX: (86) 769-777 1791

© COPYRIGHT
FU WANG ELECTRIC MANUFACTURING CO., LTD.
FULLY MOTOR CO. LIMITED All Rights Reserved, Infringers Will Be

URL: <http://www.fullymotor.com>
E-MAIL: sales@fullymotor.com