

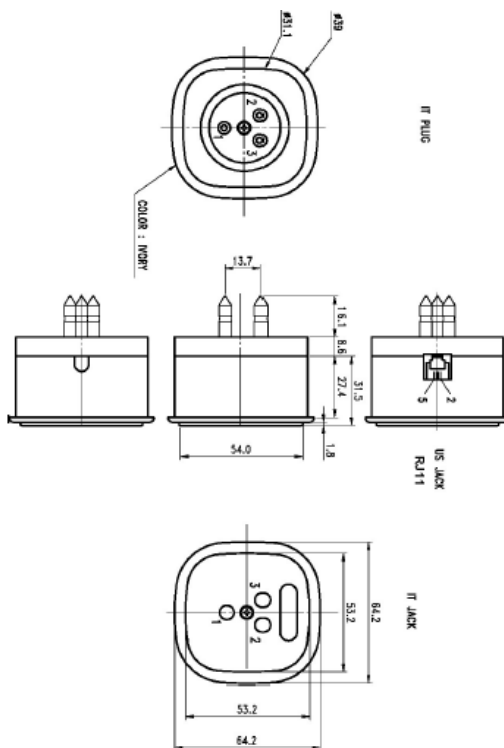


- ★ Compact package, includes connectors for ease of installation
- ★ Design for G.lite Application
- ★ 100 mA DC Loop Current Capacity

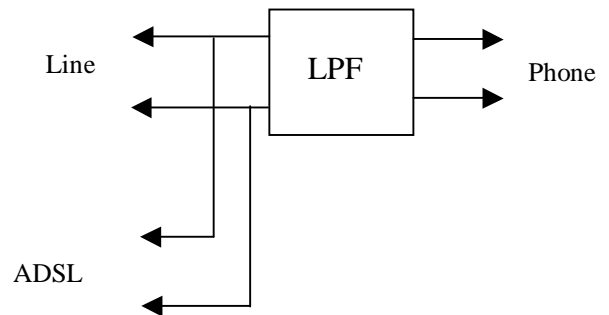
### Specifications

POTS Port Impedance	270Ω+150nF//750Ω	DC Resistance each line	25Ω Max
Insertion Loss @1KHz	-1dB Max	Return Loss @300Hz~500Hz	-14 dB Min
Insertion distortion @200~4 KHz	±1.1dB	@500Hz~2KHz	-18 dB Min
Attenuation @32~60 KHz	-15dB Min	@2KHz~3.4KHz	-14 dB Min
@60K ~600kHz	-25dB Min	Isolation resistance tip/ring	25M Ω Min
In Band Ripple	1dB Max		
Longitudinal Balance @200Hz~3K	-53 dB Min		
POTS Tip and Ring DC Voltage	0-105V		

### Dimension



### Schematic



Connector	Function	Style	Tip	Ring
J1	Line	IT Plug	Pin2	Pin3
J2	Phone	IT Jack	Pin2	Pin3
J3	ADSL	US Jack	Pin3	Pin4

Data sheet subject to change without notice

Head Office & Factory 248-32 號 5F  
Build-B, 5F, No. 248-32, Hsing-Shen Rd., Cheng-Jeng Dist.,  
Lin-Kung Proc. Zone, Kaohsiung, Taiwan, R.O.C.  
TEL:886-7-8153618 Fax:886-7-8150747

[www.magcom.com.tw](http://www.magcom.com.tw)

PRELIMINARY

AMF007(05/2003) B