



**FU WANG**  
ELECTRIC MANUFACTURING CO., LTD.

**FULLY** MOTOR CO. LIMITED



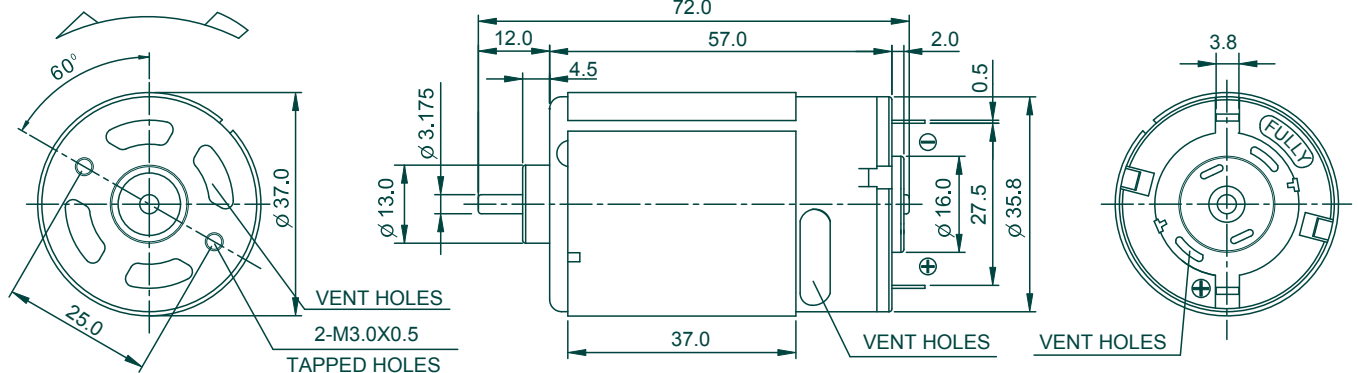
## DESCRIPTION FRS-5512SPAC

### APPLICATIONS:

- Hand Blender
- Hand Tools
- Various Pumps
- Hair Clipper
- Paper Shredder
- Drill
- Polishing Machine
- Mincer

### DRAWING

DIRECTION OF ROTATION



WEIGHT~205g(APPROX)

Unit in Millimetres

### PERFORMANCE DATA

OUTPUT : APPROX 1.0 ~ 45W

MODEL	VOLTAGE		NO LOAD		AT MAXIMUM EFFICIENCY					AT MAXIMUM POWER			STALL		NOISE
	OPERATING RANGE	NOMINA	SPEED	CURRENT	SPEED	CURRENT	TORQUE	OUTPUT	EFF	SPEED	CURRENT	TORQUE	TORQUE	CURRENT	(Max)
	V	V	R.P.M	A	R.P.M	A	gf.cm	W	%	R.P.M	A	gf.cm	gf.cm	A	dBA 300mm
FRS-5512SPAC-10169N	80~12	11	835	0.0	650	0.1	15	10.	64.	417	0.1	33	67	0.3	72
FRS-5512SPAC-11165N	80~12	11	850	0.0	710	0.1	15	10.	60.	425	0.3	45	91	0.6	72
FRS-5512SPAC-1488	80~12	12	1750	0.0	1450	0.3	22	32.	64.	875	0.8	64	128	1.5	78
FRS-5512SPAC-12110	80~12	12	1450	0.0	1190	0.2	17	20.	69.	725	0.5	47	94	1.1	80
FRS-5512SPAC-06360	180~24	22	650	0.013	540	0.0	20	11.	72.	325	0.1	58	117	0.3	75
FRS-5512SPAC-08250	110~24	23	1450	0.0	1190	0.1	17	20.	69.	725	0.3	47	95	0.5	68
FRS-5512SPAC-07280N	120~24	23	1000	0.0	800	0.1	20	16.	54.	500	0.2	50	100	0.4	72
FRS-5512SPAC-06312N	120~24	23	925	0.0	720	0.0	18	8.	64.	462	0.1	40	81	0.2	72

HONG KONG OFFICE : 12/F., J GOLD KING IND. BLDG., 35-41 TAI LIN PAI RD., KWAI CHUNG, N.T., H.K.

TEL: (852) 2424 0763 FAX: (852) 2480 1684

CHINA FACTORY : YAN TIAN, FENGGANG, DONGGUAN, GUANGDONG, CHINA.

TEL: (86) 769-777 3227 FAX: (86) 769-777 1791

© COPYRIGHT  
FU WANG ELECTRIC MANUFACTURING CO., LTD.  
FULLY MOTOR CO. LIMITED All Rights Reserved, Infringers Will Be

URL: <http://www.fullymotor.com>  
E-MAIL: [sales@fullymotor.com](mailto:sales@fullymotor.com)