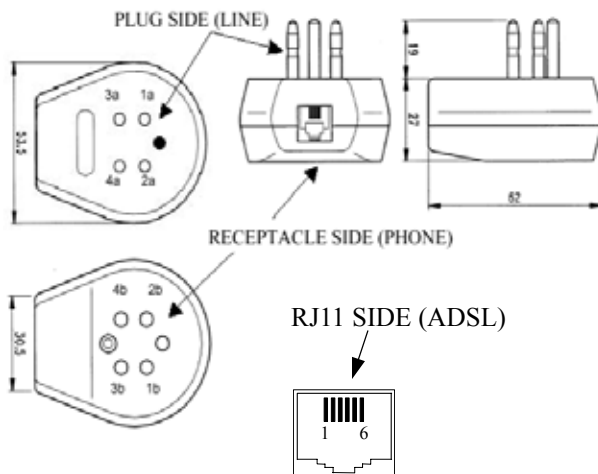


- ★ **Compact package, includes connectors for ease of Installation**
- ★ **Design for Glide Application**
- ★ **100 mA DC Loop Current Capacity**

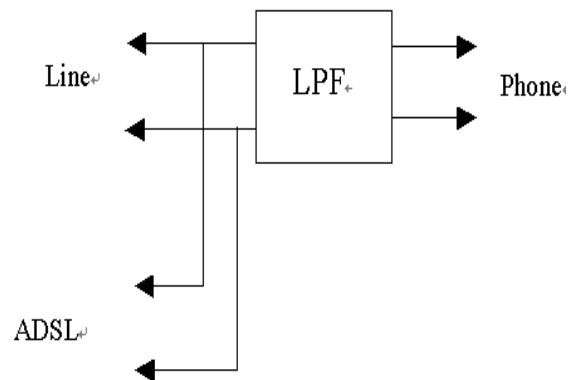
### Specifications

POTS Port Impedance	600	DC Resistance each line	25Ω Max
Insertion Loss @1004Hz	-0.3dB Max	Return Loss @300Hz~500Hz	-14 dB Min
Insertion distortion @200~3.4 KHz	±1.0dB	@500Hz~2KHz	-18 dB Min
Attenuation @32~70 KHz	-30dB Min	@2KHz~3.4KHz	-14 dB Min
@70K ~600KHz	-50dB Min	Isolation resistance tip/ring	25M Ω Min
In Band Ripple	1dB Max		
Longitudinal Balance @200Hz~3K	-53 dB Min		
POTS Tip and Ring DC Voltage	0-105V		

### Dimension



### Schematic



Connector	Function	Style	Tip	Ring
J1	Line	Plug	Pin2	Pin4
J2	Phone	Receptacle	Pin2	Pin4
J3	ADSL	RJ11	Pin3	Pin4

Data sheet subject to change without notice

**Magnetic Electronic Technology Co., Ltd**

TEL: +86-769-6787 388 FAX: +86-769-6787 389.

Add: Xiangding Industry Zone, Qishi Town, Dongguan City Guangdong Province China

International Sales: Don Nin sales@dgmagcom.com

www.dgmagcom.com

**PRELIMINARY**