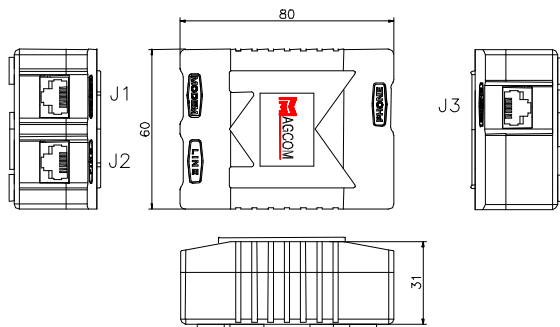


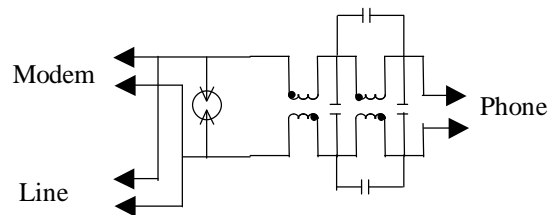
- ★ **Compact package, includes connectors for ease of installation**
- ★ **Design for G.dmt Application**
- ★ **100 mA DC Loop Current Capacity**

<b>Specifications</b>		(Operating Temperature 5~40°C, Relative Humidity 20~90%)	
POTS Port Impedance	600Ω	DC Resistance each line	12.5Ω Max
Insertion Loss @1004Hz	-1dB Max	Return Loss ERL	6 dB Min
3dB Cutoff Frequency	12KHz Typ	SRL-L	5 dB Min
Attenuation Distortion (dB)		SRL-H	3 dB Min
Short Loop	0.2 ~ 3.4 KHz	Longitudinal Balance 0.2 ~1KHz	-58 dB Min
	3.4 ~ 4 KHz	1KHz~3KHz	-53 dB Min
Long Loop	0.2 ~ 3.4 KHz	Attenuation @30~300KHz	-65dB Min
	3.4 ~ 4 KHz	@300~1104KHz	-55dB Min
Delay Distortion @0.6-3.2KHz	200uS Max	Isolation resistance tip/ring	5M ohm Min
@0.2-4.0KHz	250uS Max	POTS trip and ring DC Voltage	0-105V

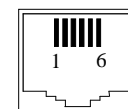
### Dimension



### Schematic



Connector	Function	Style	Tip	Ring
J1	Modem	RJ11	Pin3	Pin4
J2	Line	RJ11	Pin3	Pin4
J3	Phone	RJ11	Pin3	Pin4


**RJ11**

Data sheet subject to change without notice

Head Office & Factory 248-32 號 5F  
 Build-B, 5F, No. 248-32, Hsing-Shen Rd., Cheng-Jeng Dist.,  
 Lin-Kung Proc. Zone, Kaohsiung, Taiwan, R.O.C.  
 TEL:886-7-8153618 Fax:886-7-8150747 sales@www.magcom.com.tw BAS006(07/2002) Rev C