

★ Compact package, includes connectors for ease of installation

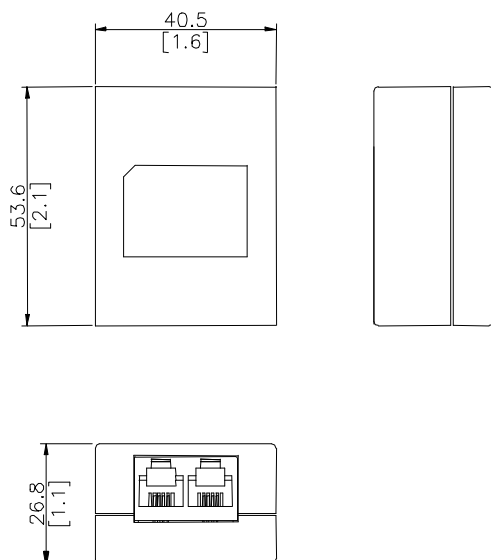
★ Design for G.dmt Application

★ 100 mA DC Loop Current Capacity

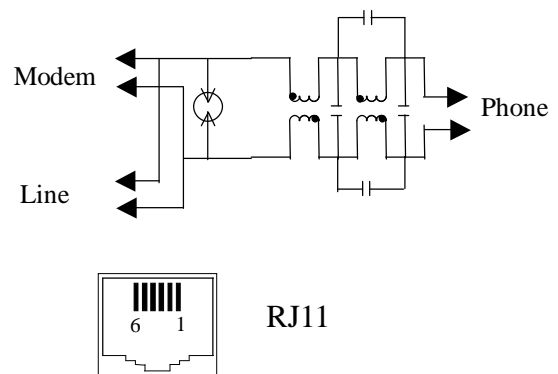
Specifications (Operating Temperature 5~40°C, Relative Humidity 20~90%)

POTS Port Impedance	600Ω	DC Resistance each line	12.5 Ω Max
Insertion Loss @1000Hz	-0.5dB Max	Longitudinal Balance 0.2 ~1KHz	-58 dB Min
3dB Cutoff Frequency	12KHz Typ	1KHz~3KHz	-53 dB Min
Insertion Loss Distortion (dB)		Isolation resistance tip/ring	5M ohm Min
300Hz~3.4KHz @Ref 1KHz	+/-1 dB	POTS trip and ring DC Voltage	0-105V
Attenuation @30~300KHz	-65dB Min	Delay Distortion @0.6-3.2KHz	100uS Max
@300~1104KHz	-55dB Min		
Return Loss 300Hz~500Hz	-14 dB Min		
500Hz~2KHz	-18 dB Min		
2KHz~3.4KHz	-14 dB Min		

Dimension



Schematic



Connector	Function	Style	Tip	Ring
J1	Modem	RJ11	Pin3	Pin4
J2	Line	RJ11	Pin3	Pin4
J3	Phone	RJ11	Pin3	Pin4

Data sheet subject to change without notice

Head Office & Factory 248-32 號 5F
 Build-B, 5F, No. 248-32, Hsing-Shen Rd., Cheng-Jeng Dist.,
 Lin-Kung Proc. Zone, Kaohsiung, Taiwan, R.O.C.
 TEL:886-7-8153618 Fax:886-7-8150747 sales@www.magcom.com.tw BAS032(05/2002) Rev D