



**FU WANG**  
ELECTRIC MANUFACTURING CO., LTD.

**FULLY** MOTOR CO. LIMITED

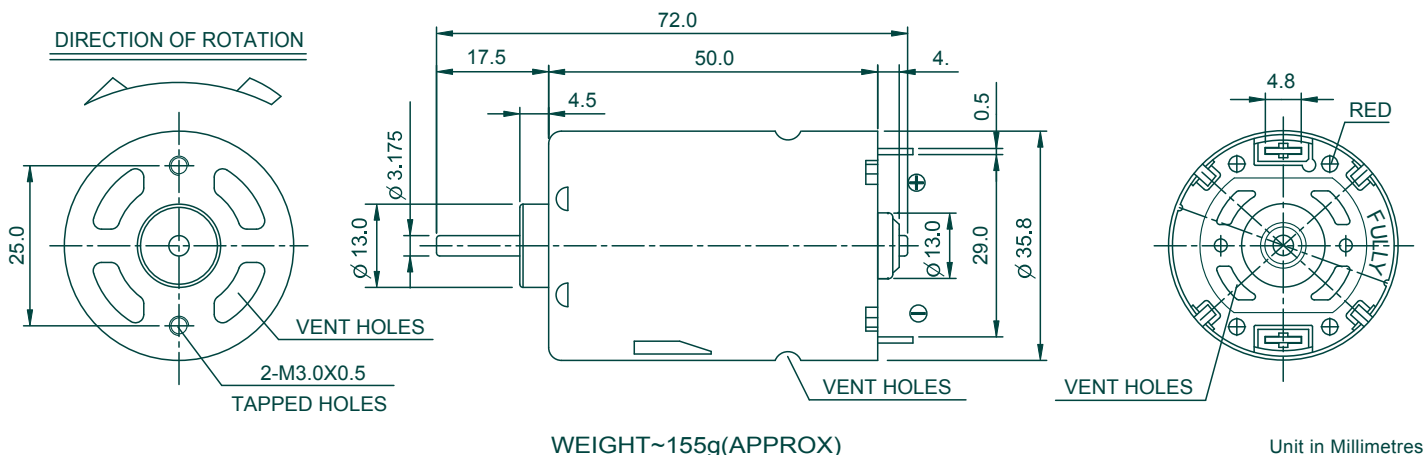


## DESCRIPTION FRS-545SM

### APPLICATIONS:

- Vacuum Cleaner
- Coffee Machine
- Portable Massager
- Paper Shredder

### DRAWING



### PERFORMANCE DATA

OUTPUT : APPROX 1.0 ~ 20W

MODEL	VOLTAGE		NO LOAD		AT MAXIMUM EFFICIENCY					AT MAXIMUM POWER			STALL		NOISE
	OPERATING RANGE	NOMINA	SPEED	CURRENT	SPEED	CURRENT	TORQUE	OUTPUT	EFF	SPEED	CURRENT	TORQUE	TORQUE	CURRENT	( Max )
	V	V	R.P.M	A	R.P.M	A	gf.cm	W	%	R.P.M	A	gf.cm	gf.cm	A	dBA 300mm
FRS-545SM-19110	6.0~18.0	12.0	3600	0.15	3000	0.4	100	3.07	64.0	1800	0.88	29	58	1.62	6
FRS-545SM-2585DC	6.0~18.0	12.0	4800	0.18	4350	0.55	100	4.46	67.6	2400	2.15	533.	106	4.13	7
FRS-545SM-2870D	9.0~24.0	12.0	5400	0.20	4300	1.20	250	11.0	76.4	2700	2.65	613.	122	5.11	7
FRS-545SM-19160N	9.0~30.0	17.0	3400	0.08	2800	0.36	150	4.3	70.3	1700	0.87	42	85	1.67	7
FRS-545SM-15220VD	6.0~24.0	24.0	3500	0.07	2750	0.30	150	4.23	58.7	1750	0.61	35	70	1.14	7
FRS-545SM-2380	12.0~24.	24.0	1000	0.20	8700	1.0	200	17.8	74.1	5000	3.28	76	153	6.35	7
FRS-545SM-2485V	12.0~24.	24.0	9500	0.20	8400	0.90	200	17.2	79.6	4750	3.34	896.	179	6.48	7
FRS-545SM-14270V	12.0~30.	24.0	3100	0.08	2346	0.25	150	3.6	60.1	1550	0.43	30	61	0.77	7

HONG KONG OFFICE : 12/F., J GOLD KING IND. BLDG., 35-41 TAI LIN PAI RD., KWAI CHUNG, N.T., H.K.

TEL: (852) 2424 0763 FAX: (852) 2480 1684

CHINA FACTORY : YAN TIAN, FENGGANG, DONGGUAN, GUANGDONG, CHINA.

TEL: (86) 769-777 3227 FAX: (86) 769-777 1791

© COPYRIGHT  
FU WANG ELECTRIC MANUFACTURING CO., LTD.  
FULLY MOTOR CO. LIMITED All Rights Reserved, Infringers Will Be

URL: <http://www.fullymotor.com>  
E-MAIL: [sales@fullymotor.com](mailto:sales@fullymotor.com)