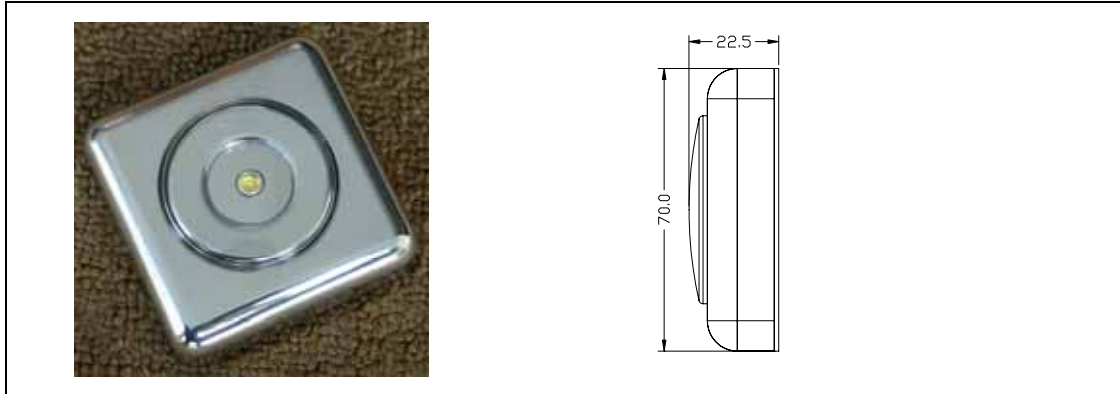


**Product Name: EPW1GVC-ZT**

**Picture of products**



**Technical request**

NO	Item	Units	Parameter range
1	Working Environment		-20~40
2	Storage Condition		-40~85
3	Work Frequency	Hz	---
4	Limited Voltage	V	4.5
5	Input Current	mA	380
6	Output Power	W	4.2
7	Luminous Flux	LM	35

**Use manual:**

1. Please read the specification first to make sure the using condition is fit
2. Please shut off the switch before connect the product, then turn on
3. Indoor use only.