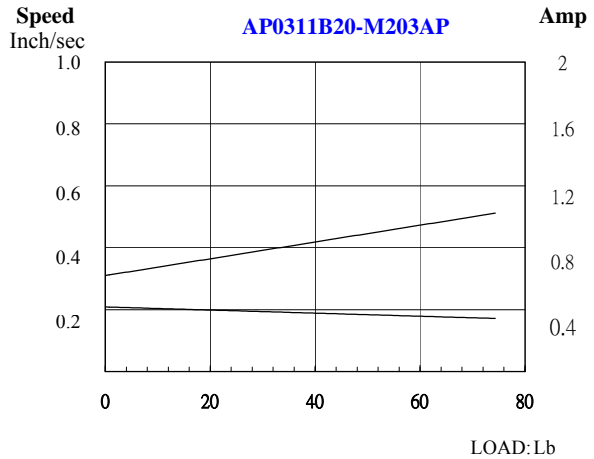


## Performance Curve

Voltage : 24.0 Vdc



### Features

- Clevis mounting
- Rugged high grade aluminum die-casting housing
- Very quiet operation
- Load capacity 300 lbs

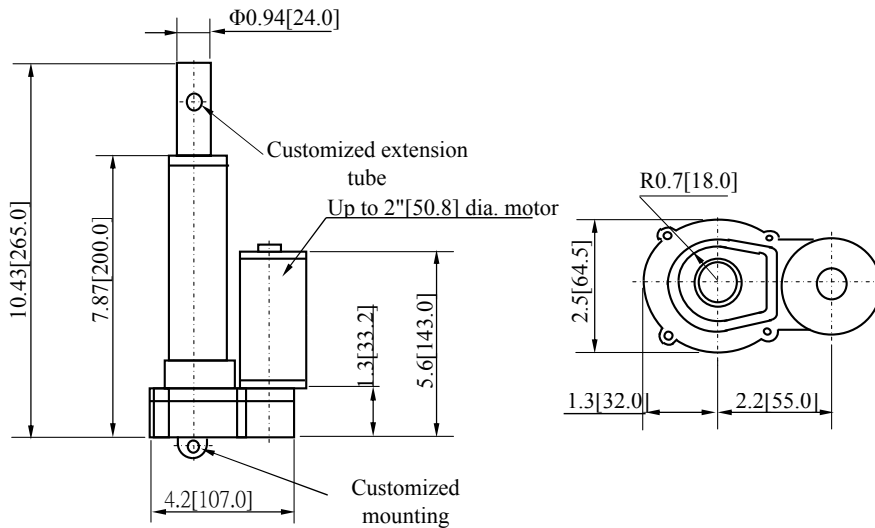
### Options

- Special brackets
- Special adaptors
- Custom designed mounting
- Custom designed stroke length
- Motor voltage : 12~220Vdc
- Over current protection
- Customized performance

### Applications

- Lift chair
- Power Chair
- Wheel Chair

## Dimensions Inch[mm]



## Selected Performance Data

Model	Application	Voltage	No Load		Normal Operating Load			Max. Operating Load			Stroke Length		Height (H)		Motor Dia.	
			Speed	Current	Load	Speed	Current	Load	Speed	Current	Inch	mm	Inch	mm	Inch	mm
			Vdc	Inch/sec	A	Lb	Inch/sec	A	Lb	Inch/sec	A					
AP0311B20-M203AP	Power tilt seat	24.0	0.21	0.62	101	0.158	1.17	250	0.084	2.0	5	115	8	200	2.0	50.8
AP0311B20-M203BP	Power tilt seat	24.0	0.31	0.49	101	0.276	0.93	300	0.194	1.83	5	115	8	200	2.0	50.8

Email: [cimsales@cclmotors.com](mailto:cimsales@cclmotors.com)

North America: 30 Technology Drive, Warren, New Jersey 07059 USA

Hong Kong: 4/F, No. 6, On Lok Mun St., On Lok Tsuen, Fanling, Hong Kong

Website: [www.cimmotor.com](http://www.cimmotor.com)

Tel: (908) 753 7100 Fax: (908) 753 9100

Tel: (852) 3125 0000 Fax: (852) 3125 0122