



### Features

- Harden ball screw and sleeve
- Stops at the end of stroke with no limit switch required
- Steel housing
- Able to withstand side load

### Options

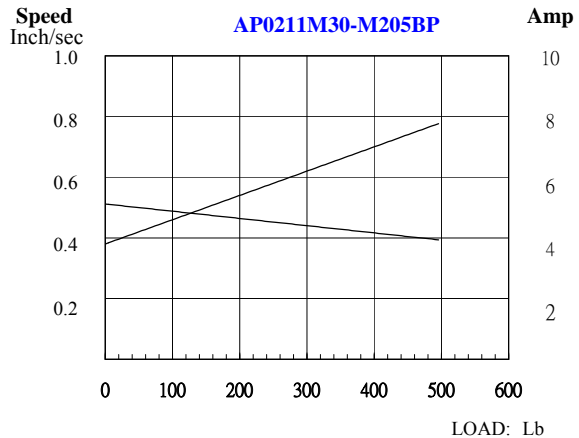
- Special brackets
- Custom designed adaptors
- Custom designed mounting
- Custom designed stroke
- Custom designed performance

### Applications

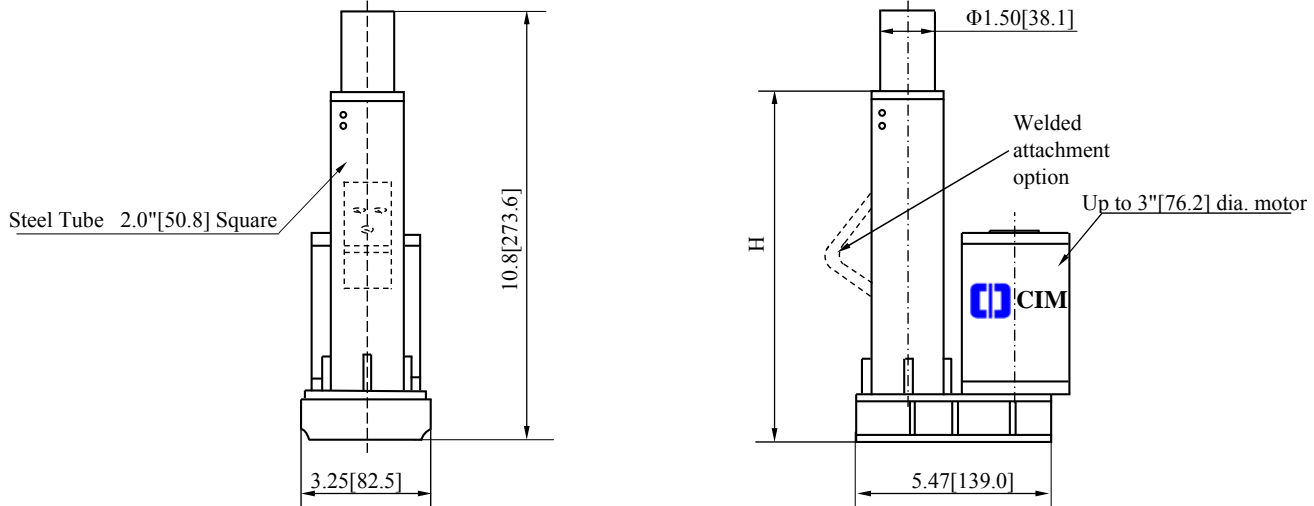
- Power seat lift for scooter and power chair
- Power seat lift for RV

### Performance Curve

Voltage : 24.0 Vdc



### Dimensions Inch[mm]



### Selected Performance Data

Model	Application	Voltage	No Load		Normal Operating Load			Max. Operating Load			Stroke Length		Height (H)		Motor Dia.	
			Speed	Current	Load	Speed	Current	Load	Speed	Current	Inch	mm	Inch	mm	Inch	mm
			Vdc	Inch/sec	A	Lb	Inch/sec	A	Lb	Inch/sec	A					
AP0211M30-M205AI	Power Seat Lif	24.0	0.55	1.9	200	0.51	3.0	500	0.45	4.7	5.0	127.0	8.7	221.0	3.0	76.2
AP0211M30-M205BF	Power Seat Lif	24.0	0.51	3.8	200	0.46	5.4	500	0.39	7.8	5.0	127.0	8.7	221.0	3.0	76.2
AP0211M30-M207AI	Power Seat Lif	24.0	0.56	2.7	200	0.48	4.9	500	0.37	8.2	7.0	178.0	10.9	276.1	3.0	76.2
AP0211M30-M208AI	Power Seat Lif	24.0	0.56	2.9	200	0.49	5.0	500	0.38	8.2	6.0	152.0	9.7	246.4	3.0	76.2
AP0211M30-M208BF	Power Seat Lif	24.0	0.56	2.7	200	0.48	5.0	500	0.36	8.5	6.0	152.0	9.7	246.4	3.0	76.2

Email: [cimsales@cclmotors.com](mailto:cimsales@cclmotors.com)

North America: 30 Technology Drive, Warren, New Jersey 07059 USA

Hong Kong: 4/F, No. 6, On Lok Mun St., On Lok Tsuen, Fanling, Hong Kong

Website: [www.cimmotor.com](http://www.cimmotor.com)

Tel: (908) 753 7100 Fax: (908) 753 9100

Tel: (852) 3125 0000 Fax: (852) 3125 0122