

V900 GSM REMOTE CAMERA

Technical Specification

Version V1.0

XIAMEN YOUTHNET CO., LTD.

Amend record:

Version	Status	Date	Authority	Amendment	Remark
V1.0		2008-02-02			Original version

Contents

1 GENERAL INTRODUCTION.....	3
2 ACRONYMS	3
3 APPEARANCE AND STRUCTURE	3
4 FUNCTION	4
5 TECHNICAL SPECIFICATION.....	5
5.1 TRANSMIT PROTOCOL AND TECHNICAL STANDARD	5
5.2 INPUT VOLTAGE.....	6
5.3 POWER CONSUMPTION.....	6
5.4 ACCESSORY SPECIFICATION	6
5.5 WORK CONDITION.....	7
6 EMC TEST STANDARD.....	7
6.1 ESD TEST	7
6.2 IMMUNITY TEST OF RADIATION FROM RADIO FREQUENCY ELECTROMAGNETIC FIELD	7
6.3 RF EMISSION TEST	7
6.4 CONDUCTED EMISSION TEST.....	7

1 General introduction

V900 GSM remote camera is one of simple image capturing device for GSM network, it has fashion appearance, compact design, wireless system and easy to use. Inner lithium battery make it can work when external power cut off. You can control the camera by SMS command to get MMS images. V900 integrated motion detection and GSM wireless transmit technology to apply in security field, truly achieved wireless security system; user can see the alarm images in first time.

MODEL	FREQUENCY	REMARK
V900 GSM remote camera	900MHz/1800MHz (850MHz/ 1900MHz Optional)	Images monitor, Real time audio

Acronyms

ACRONYMS	Full description
YOUTHNET	XIAMEN YOUTHNET CO., LTD.
GPRS	General Packet Radio Service
GSM	Global System of Mobile communication
ESD	Electronic Static Discharge
EMC	Electro Magnetic Compatibility
EMI	Electro Magnetic Interference
DTMF	Dual Tone Multi-Frequency

Appearance and Structure

V900-A Host Instruction

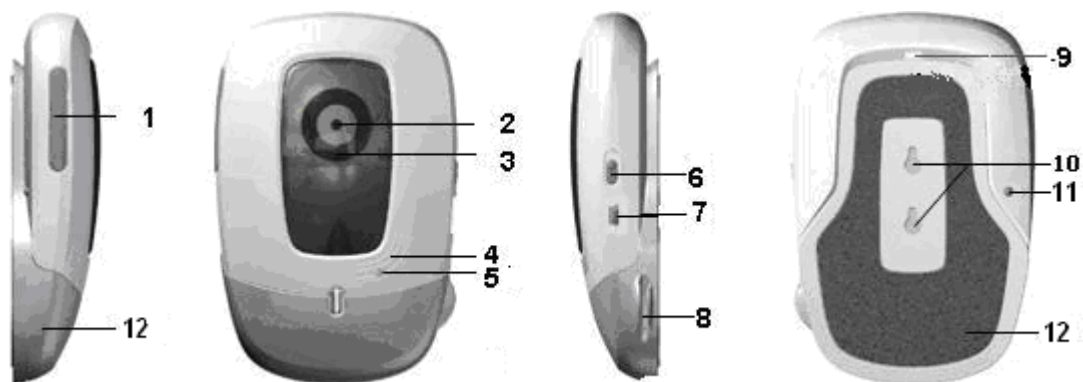


Figure 1 Host Instruction

- | | |
|---------------------------------|-------------------------------|
| 1. SIM card Slot (rubber cover) | 7. Power Interface (Mini USB) |
| 2. Camera | 8. Line Holder |
| 3. Infrared lights (8 pcs) | 9. Slot buckle |
| 4. Micphone | 10. Hanging hole |
| 5. Indicator | 11. Setting key |
| 6. Power switch | 12. Base board |

Image 3-1 Host appearance

- ◆ Host dimension (LxWxH): 128mm×86mm×32mm
- ◆ Weight:150g

Function

Table 4-1Basic function list

Item	Description
Images monitor	300,000 pixels camera, support infrared light to capture images at night, images send to mobile phone by MMS.
Real time audio	Listen in real time audio with mobile phone.
Change setting	Sending SMS command to change V900 setting.

Wireless alarm	Support motion detection, once activated, it will alarm. Alarm ways: by SMS, MMS or standard calling.
External sensor	Support max 15 pcs 315Mhz wireless sensor, such as door sensor, PIR, gas detector etc.
Interface	Mini USB

Technical specification
5.1 Transmit protocol and technical standard

Table 5-1 Transmit protocol and technical standard

Access way	GSM
Technical standard	GSM phase 2/2+
Interval frequency of Transmitter / receiver	45MHz for GSM 850 45MHz for EGSM 900 95MHz for DCS 1800 80MHz for PCS 1900
Voice code	– Half rate (HR) – Full rate (FR) – Enhanced Full rate (EFR) – Adaptive Multi-Rate (AMR)
Receiver sensitivity	-102dBm

Table 5-2 Frequency

Name	Transmitter frequency(MHz)	Receiver frequency(MHz)
GSM 850	824~849 MHz	869~894MHz
EGSM 900	880~915 MHz	925~960MHz
DCS 1800	1710~1785MHz	1805~1880MHz

PCS 1900	1850~1910MHz	1930~1990MHz
----------	--------------	--------------

5.2 Input voltage

Table 5-3 Input voltage list

Status	Max voltage	Min voltage
Power adapter	240V/50Hz	110V/50Hz

5.3 Power consumption

Table 5-4 Power consumption

Item	Description
Typical power consumption during talk	0.6w
Power consumption in idle mode	0.1w
Currency during talk	120mA
Currency in idle mode	20mA

5.4 Accessory Specification

Table 5-5 Accessory

Item	Description	Remark
Power adapter	Input 100V~240V/50Hz Output 5.5V DC	
Battery	Lithium batter 800mAh	Inner
Camera	300,000 pixels	Inner
	Degree: 60 (horizontal), 60 (vertical)	
	Best shot distance at night ≤6 meters	
	Image format: JPEG	
	Image size: QCIF (160×128)、 CIF (320×240)、VGA (640×480)	
Wireless sensor (Including remote)	Receiver code: ASK Baud range: 500-2500 bps, 12 bit, 0 parity, 1 stop bit, 8 stop bit.	External sensor, no

control)	Receiver frequency: 433 MHz	including in the V900.
	Max quantity 15 pcs	
	Valid distance: 10 m (Without block)	

5.5 Work condition

- ◆ Working temperature: -10℃ ~+ 45℃
- ◆ Storage temperature: -20℃ ~+ 60℃
- ◆ Humidity: 10-90% without coagulate

EMC Test standard

6.1 ESD Test

Test level

- ◆ Contact discharge: ±8KV
- ◆ Air discharge: ±15KV
- ◆ Refer standard: GB/T 17626.2

6.2 Immunity Test of Radiation from Radio Frequency Electromagnetic Field

Test level:

- ◆ Field strength: 10V/m
- ◆ Frequency range: 80-1000MHz
- ◆ Refer standard: GB/T 17626.3

6.3 RF Emission Test

- ◆ Detector: Peak detector, Quasi-peak detector
- ◆ Refer Standard: GB 9254

6.4 Conducted Emission Test

- ◆ Detector: Peak detector, Quasi-peak detector, Average detector

- ◆ Refer Standard: GB 9254