



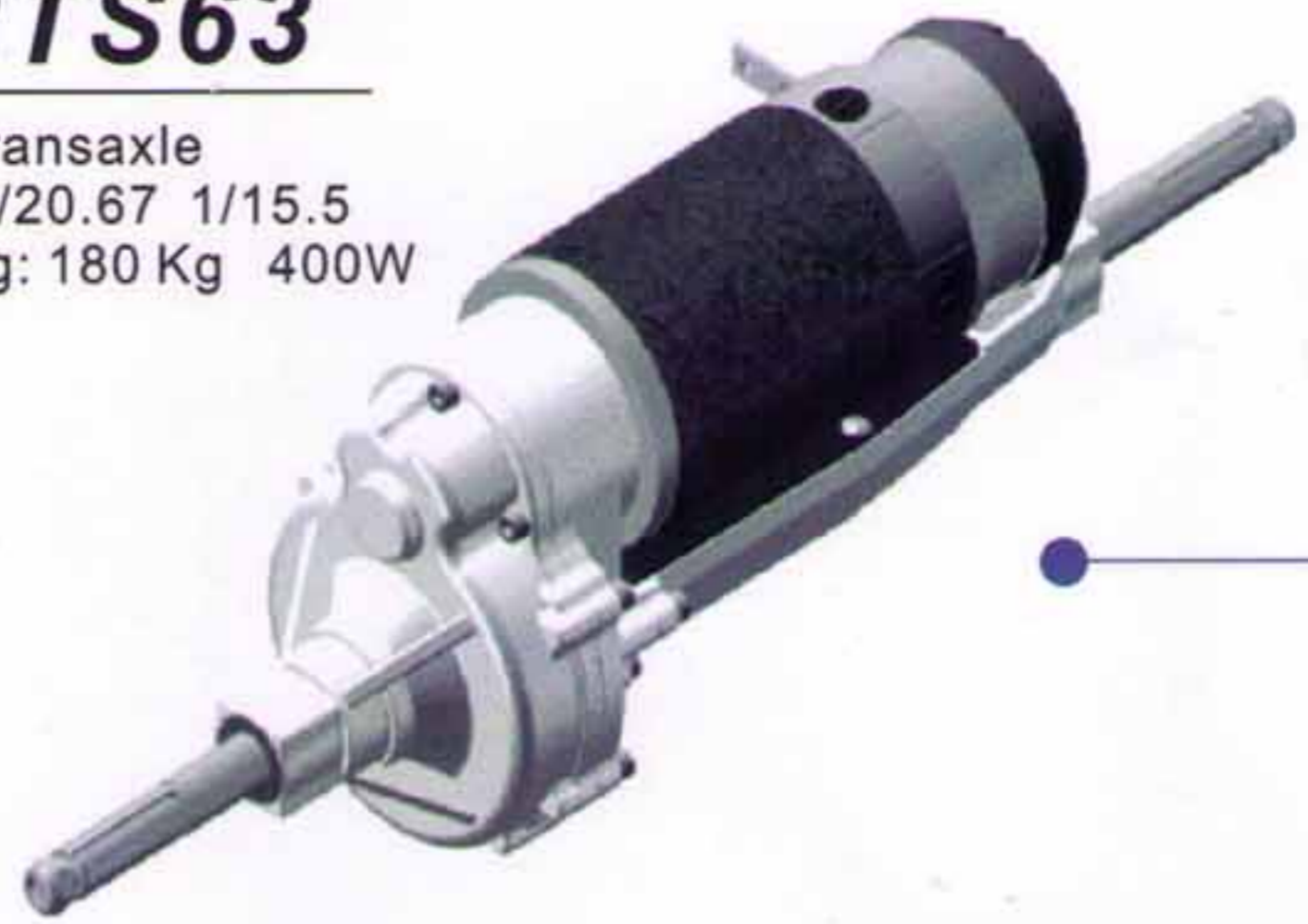
### CYC-2TS53

DC Scooter Transaxle  
 Gear Ratio: 1/20.3  
 Rated Loading: 130 Kg 270W

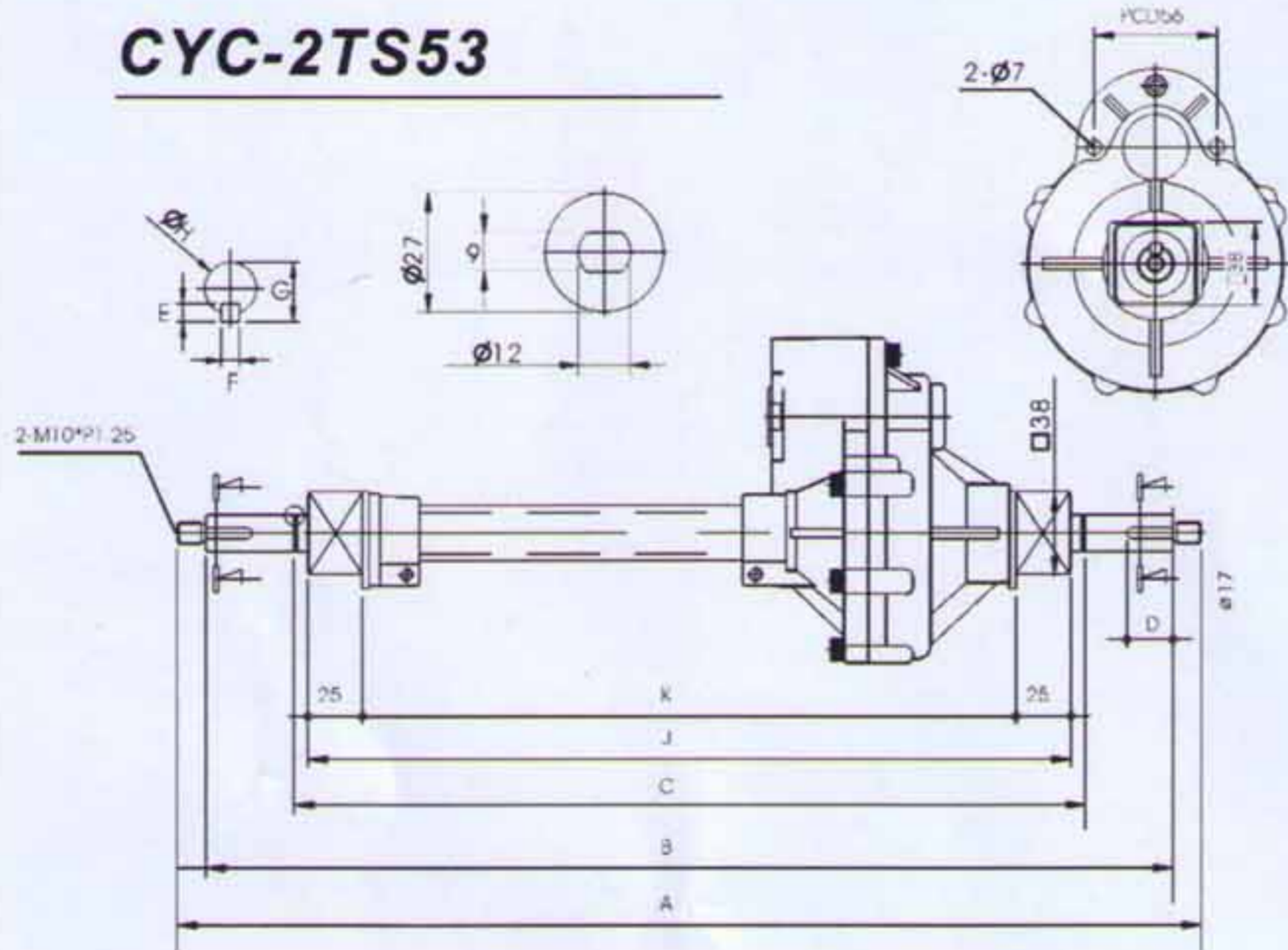


### CYC-2TS63

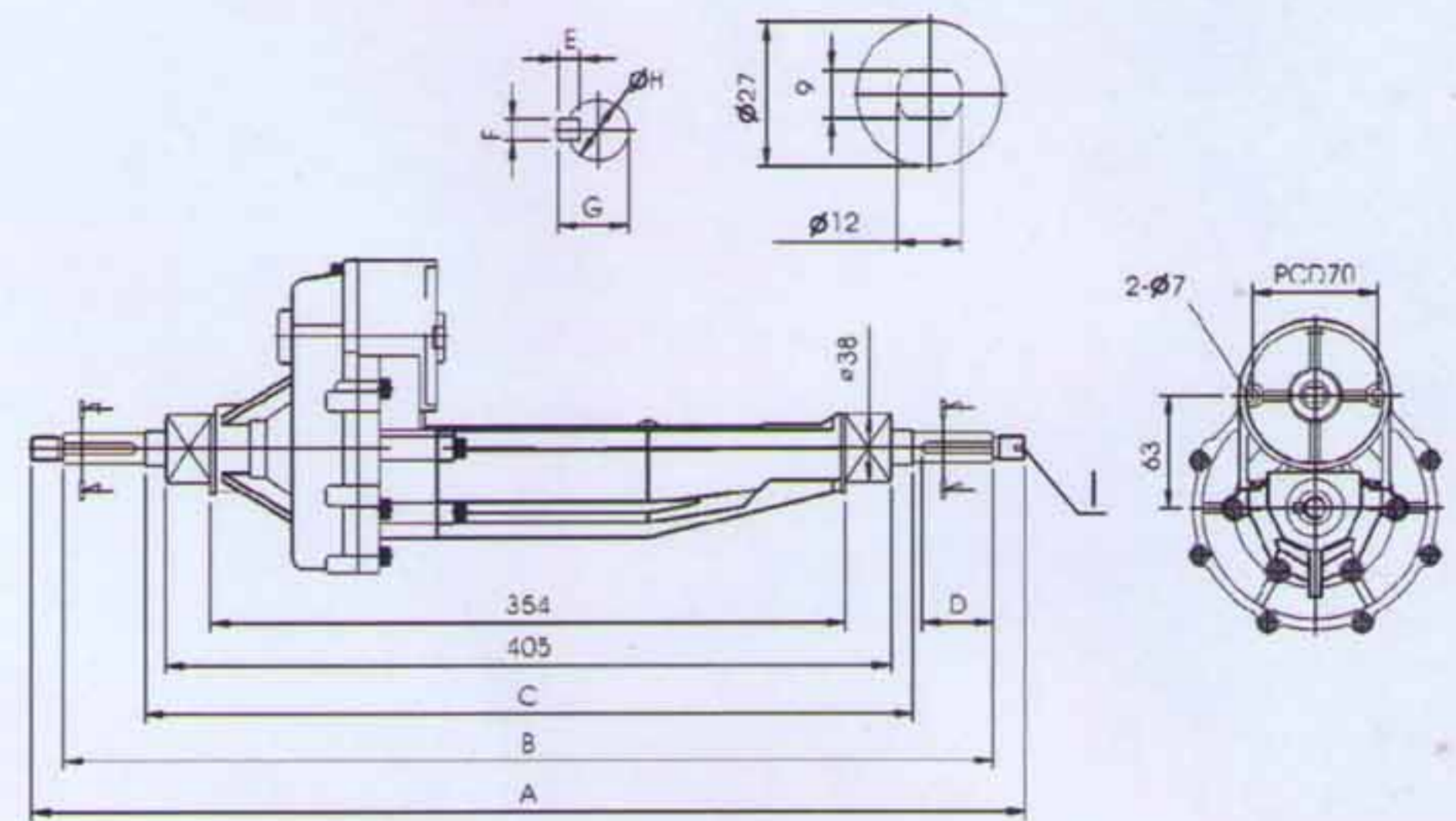
DC Scooter Transaxle  
 Gear Ratio: 1/20.67 1/15.5  
 Rated Loading: 180 Kg 400W



#### CYC-2TS53



#### CYC-2TS63



CYC-2TS53 Dimension(mm)

	A	B	C	D	E	F	G	H	J	K
01	466	440	360	21	5	5	19	∅17	350	296
02	487	461	381	21	5	5	19	∅17	364	310
03	504	478	420	25	5	5	17	∅15	395	341
04	512	486	406	21	5	5	19	∅17	375	319
05	568	542	462	21	5	5	19	∅17	455	401

CYC-2TS63 Dimension(mm)

	A	B	C	D	E	F	G	H	I
01	541	519	429	40	6	6	19.5	∅17	1/2" -20UNF
02	563	537	448	40	6	6	19.5	∅17	M10*P1.25
03	562	540	429	40	4.76	4.76	21.21	∅19.05	1/2" -20UNF
04	566	540	430	30	5	5	21	∅19	M12*P1.75
05	569	543	468	20	5	5	19	∅17	M12*P1.75
06	585	559	484	20	5	5	19	∅17	M12*P1.75
07	586	560	484	20	5	5	19	∅19	M12*P1.75
08	594	568	434	20	5	5	19	∅17	M12*P1.75
09	602	576	434	30	5	5	19	∅17	M12*P1.75
10	608	582	463	30	5	5	19	∅19	M12*P1.5
11	608	586	484.6	50.7	4.76	4.76	21.21	∅19.05	1/2" -20UNF

China Factory: No.11-117, Baishi Road,  
 Jiangmen City 529000, Guangdong Prov. China  
 Tel: +86-750-339 2086 / 339 3320  
 Fax: +86-750-339 2380

E-mail: [chuangyang@188.com](mailto:chuangyang@188.com)  
 Web: <http://www.chuang-yang.com>

Taiwan Office: No.51-3, Lane101, sec. 1,  
 Kuo Chi Road, Taoyuan City, Taiwan, R.O.C  
 Tel: 886-3-367 3168 / 377 5468  
 Fax: 886-3-377 9658