

φ 94mm E27 High power Series  
Technical Data Sheet

Model No: LM-SDRG7WXX1-1



## Features

- ◇ High Intensity
- ◇ Low Power Consumption.
- ◇ Long life.
- ◇ Low voltage operation at 90-260VAC
- ◇ Available for all color
- ◇ Easy-equipped.

## Description

This LED lightings are Big power 7pc LED for 1W, higher than the bright of other spot lamp as E27. make use of the top grade aluminum alloy of the curst, faster scatter thermal diffusion.

The colors of lighting can be white, warn white, red, yellow, blue, green and other colors.

## Application

- ◇ Entertainment Lighting
- ◇ Architectural lighting
- ◇ City Beautification
- ◇ Landscape lighting
- ◇ Medical lighting
- ◇ Portable lighting
- ◇ Other light sources

## Device Selection Guide

Part No.	Color	Q'ty of LEDs (pcs)	Color Temp / Wavelength Typ (kelvin/nm)	Total Lumens Typ (lm)
LM-SDRG7WW61-1	Warm White	7	3200K	120
LM-SDRG7WW01-1	Cool White	7	5500K	165.6
LM-SDRG7WB01-1	Blue	7	470nm	24.6
LM-SDRG7WG01-1	Green	7	525nm	117.2
LM-SDRG7WY01-1	Yellow	7	590nm	96.5
LM-SDRG7WR01-1	Red	7	624nm	130.5

Spec No: LM-E27 -33 Rev No. V.1 Data: Feb. /3/2007 Page: 2 OF 4

Approved: Bob Checked Zhenguoxie Drawn: Huangyuan

### Lumen Decrease( Ta =25°C)

Operating time ( hours )	2000	5000	10000
Lumen decrease (%)	2	8	15

### Absolute Maximum Ratings ( Ta =25°C)

Items	Symbol	Rating	Units
Operating Voltage	Viac	AC 220	V
LED Operating Current	li	AC 138	mA
Operating frequency	Freo	50-60	Hz
Power Dissipation	Pa	9.8	W
Operating Temperature	Tope	-5 - +45	°C
Storage Temperature	Tsto	-10 - +50	°C

### Typical Performance ( Ta =25°C)

Items	Symbol	Min	Typ.	Max.	Units
Input Voltage	Vi	90	---	260	V
Input Current	If	---	---	138	mA
Beam Pattern	BP	---	60	---	Deg
Total Length	Lmod.	---	85	---	mm
Net Weight	Wei.	---	253.5	---	g
Estimated Life [1]	Life	30000	---	---	hour
Optimized Thermal Management (Body Temperature)	/		---	50	°C

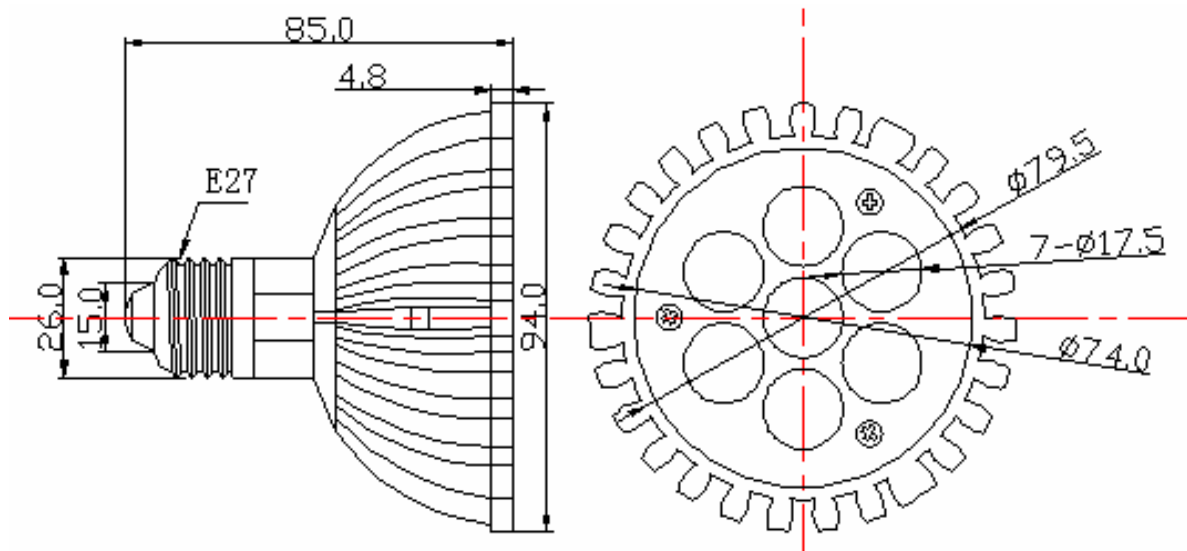
Notes:

- [1] The estimated life of E27 with Lucky Light's lamps are estimated base on the LED light 4-8 hours each day. and Lucky Light only guarantee 30000 hours in specification , but it is longer than 50000 hours .
- Rank rations will be determined by Lucky Light , if you have any request or queries for Lucky Light products , please directly contact salesman .
- The brightness and forward voltage can be designed according to customer specifications.
- Specifications are subject to change without notice

**Product picture:**



**Product Dimensions**



**Notes:**

1. All dimensions unit in mm .
2. The tolerance is +/- 0.5mm unless otherwise noted