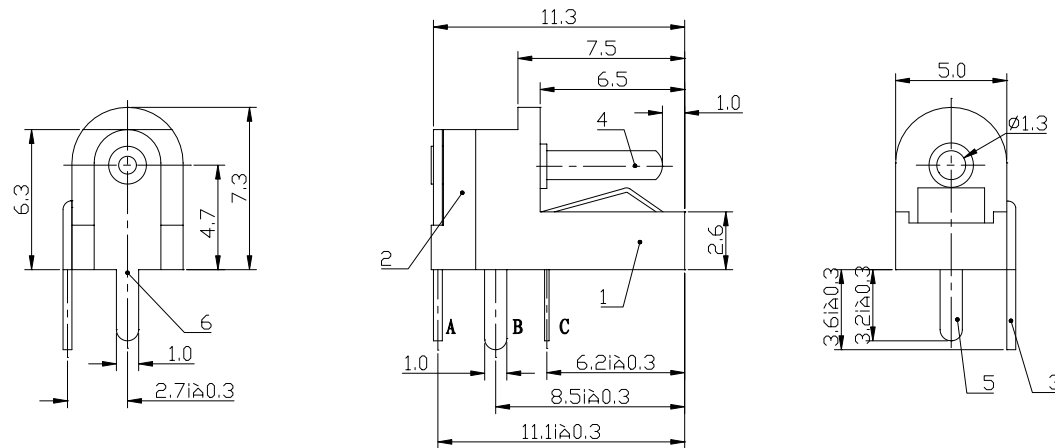
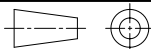


SCHMATIC



KWAN DA INDUSTRIAL CO., LTD.

TITLE : DC POWER JACK
 MODEL : DS-101-1.3 (W162)



TOLERANCE
 ≤ 5mm 0.1mm
 > 5mm 0.2mm

ANGLE TOL
 數2

UNIT : MM	DWN.	DATE
SCALE : 4 : 1	CHK'D	DATE
VERSION 01	APPD.	DATE

6	TERMINAL A	BRASS STRIP t=0.4mm	1	Ag PLATED
5	SPRING C	SUS t=0.2mm	1	Ag PLATED
4	PIN	BRASS STRIP	1	Ni PLATED
3	TERMINAL B	BRASS STRIP t=0.4mm	1	Ag PLATED
2	COVER	PBT	1	BLACK
1	CASE	PBT	1	BLACK
NO.	PART NAME	MATERIAL	QTY	FINISHING