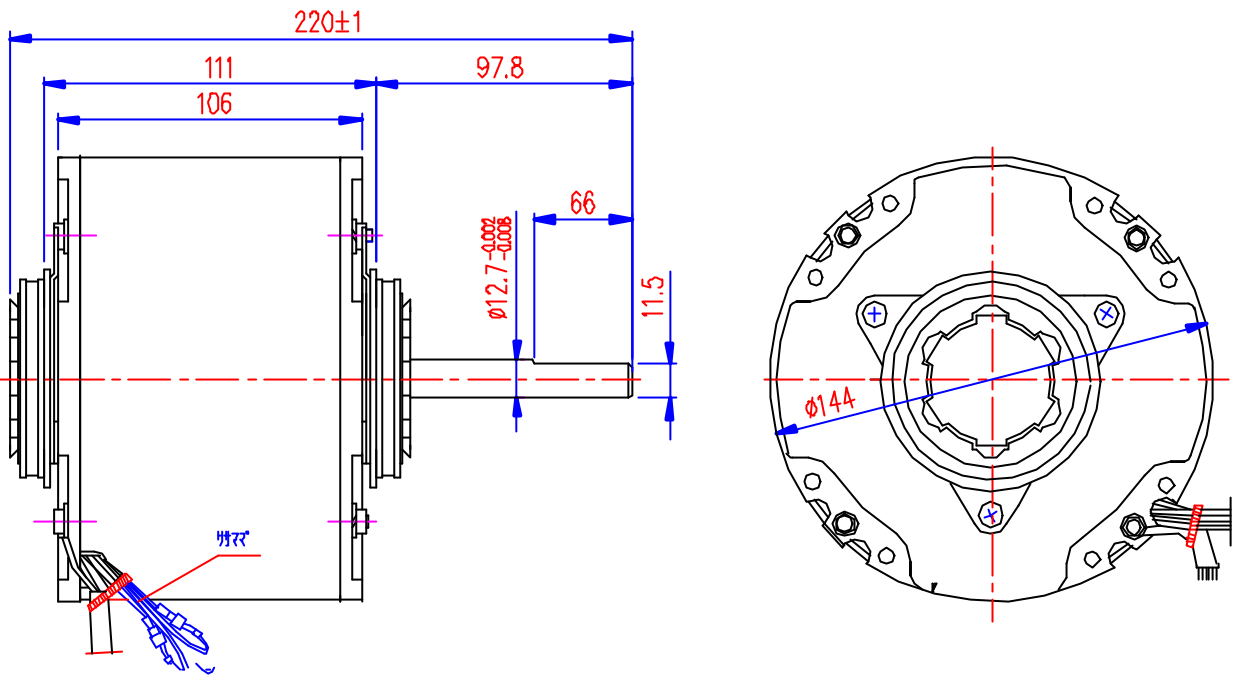
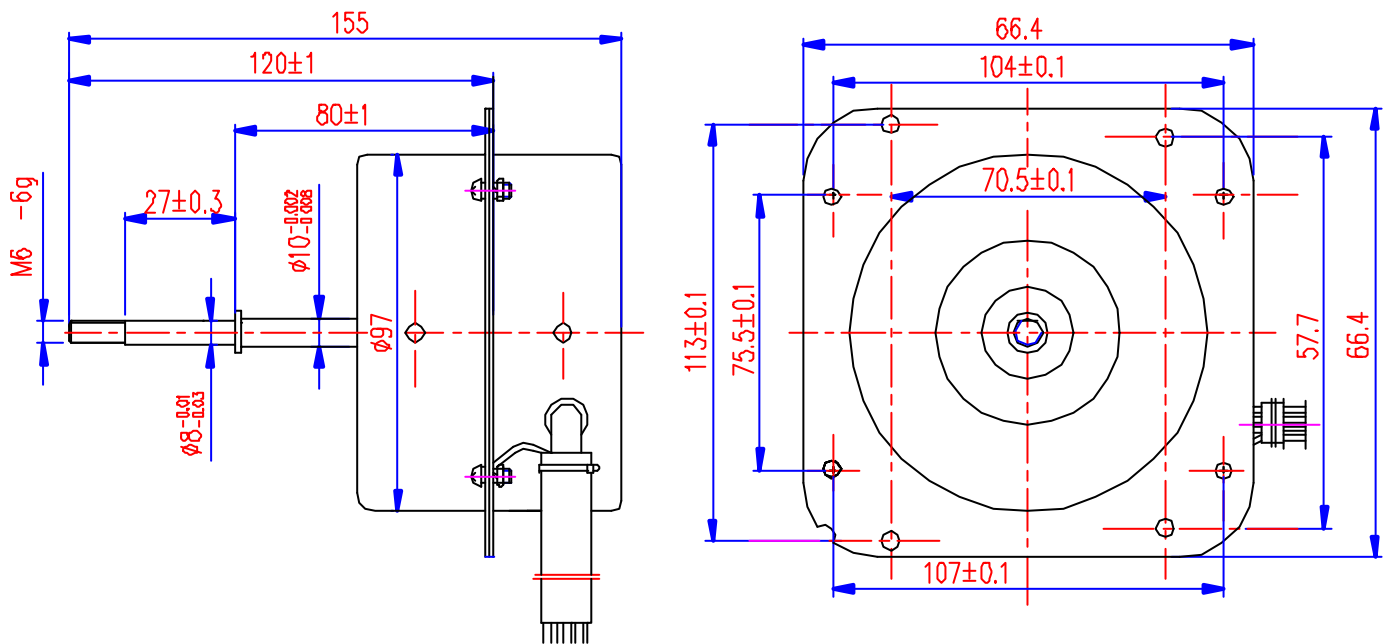


### YDK-180C-4



### YDK-20AD-6



Motor Model	Voltage (V)	Frequency (Hz)	Speed (rpm)	Output Power(W)	Capacitance ( $\mu F$ )	Poles (P)	Use
YDK-180C-4	230	50	1150	180	4.0	4	Air-Conditioner fan motor
YDK-20AD-6	220	50	750	20	2.0	6	Air-Conditioner fan motor