

4.0mm Contact Spacing, Battery Connectors

EIO-CE22 SERIES

FEATURES

- 4.0mm contact spacing.
- No. of contacts: 3pin.
- Available in tube type for automatic mounting.

SPECIFICATIONS

1.ELECTRICAL

- Voltage rating: 200VAC
- Current rating: 1.5A
- Contact resistance: 25mΩ max.
- Insulation resistance: 1000MΩ min.

2.MECHANICAL

- Durability: Mate & Unmate with applicability for 5000 times, Contact resistance: 25mΩ max.(initial), 40mΩ max.(final).
- Normal Force: 0.15 kgf*n (1.47N*n) min.
- Terminal Retention Force: 0.1kgf (0.98N) min.

MATERIALS

1.MATERIAL

- Contacts: Copper Alloy
- Insulator Housing: PA6T+GF

2.PLATING

Contact:

- Nickel In All Area
- Contact area: Au over Nickel
- Solder area: Tin-Lead over Nickel

PACKING

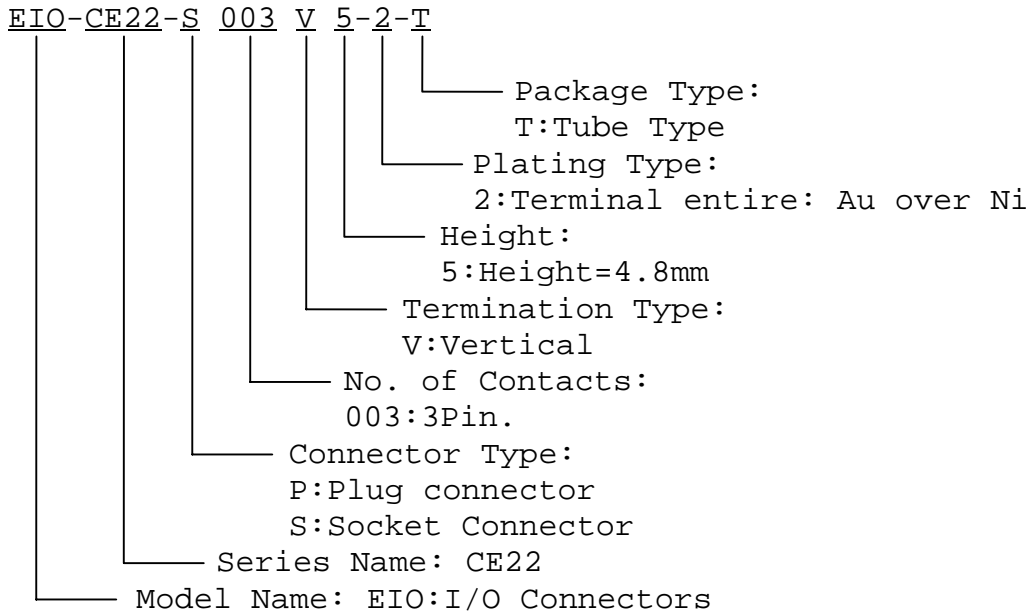
1.Packing method

1-1.All connector are packed in tube method.

2.Information on label (stuck to each ploy bag, reel and box)

(1)Part NO. (2)Section. (3)Lot NO. (4)Quantity.
(5)QC stamp. (6)Reprocess NO. (7)ECE mark.

PART NUMBERING SYSTEM



DRAWING

EIO-CE22-S003 UNIT: mm
Connection Style: Right Angle SMT

