

## CONVENTIONAL TYPE REED RELAY EDR0 07,15 SERIES



**EDR007**



**EDR015**

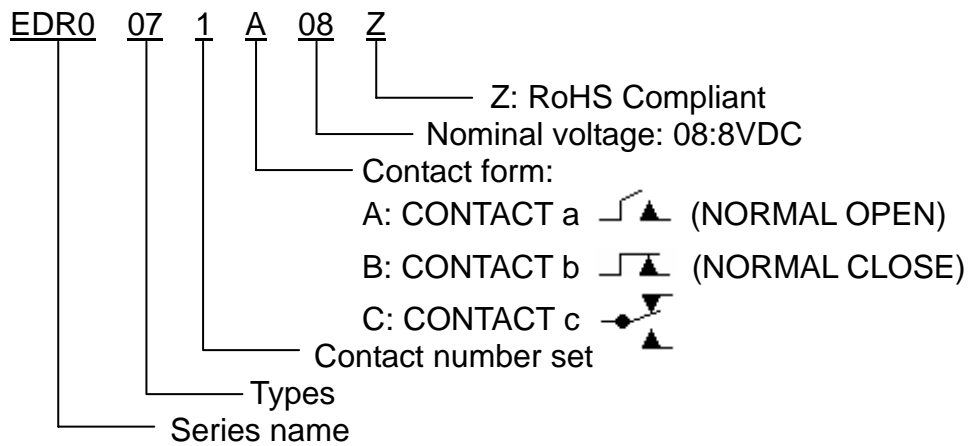
### ■ FEATURES

- 2.54 mm IC terminal arrangement.
- High switching speed and low bounce time.
- Use gas tube sealed switch to prevent dust, gas and humidity influence.
- Wide operate voltage range and low power consumption.
- Ideal for use on cordless telephone, multifunction telephone, modem, burglar alarm etc..

### ■ SPECIFICATIONS

Types	07	15
Contact Form	2A,2B	1A
<b>Contact Rating</b>		
Maximum switching power	10 VA	1 VA
Maximum switching voltage	100 VDC	24 VDC
Maximum switching current	0.5A	0.1A
Maximum carry current	1.0A	0.3A
<b>Nominal Input Power</b>		
Reference 5V Version	50 mW	50 mW
<b>Contact Resistance, Initial</b>	150 mΩ	150 mΩ
<b>Life Expectancy</b>		
Signal level load(ref 10VDC,10mA)	10x10 <sup>6</sup>	10x10 <sup>6</sup>
<b>Timing (at nominal VDC, 25Hz drive, 50% duty cycle with diode suppression)</b>		
Operate time, maximum (Including Bounce)	1.0 ms	1.0 ms
Release time, maximum	0.5 ms	0.5 ms
<b>Dielectric Voltage</b>		
Coil to contact	500 VAC	500 VAC
Across contacts	200 VDC	150 VDC
<b>Insulation Resistance(Ω)</b>	100x10 <sup>6</sup>	100x10 <sup>6</sup>
Temperature Range	-10°C to +60°C	-10°C to +60°C
Shock Resistance	30G Min.	30G Min.
Electrical Life at Rated Load	10 <sup>6</sup>	10 <sup>6</sup>
Package Type	PLASTIC	PLASTIC
Can Be Found In This Section of Brochure	PITCH 22.86mm	PITCH 12.7mm

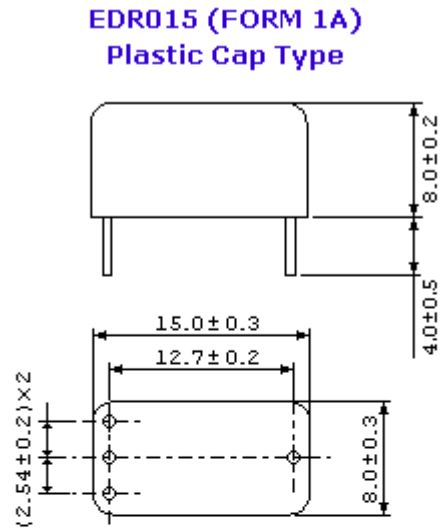
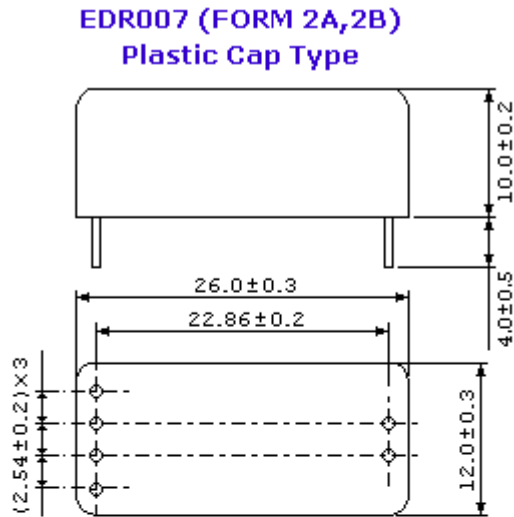
## ■ PART NUMBER SYSTEM



Part Number	Nominal Voltage(VDC)	Coil Resistance (Ohms+/-10%)	Nominal Input Power(mW)	Must Operate Voltage(VDC)	Must Release Voltage(VDC)	Maximum Voltage(VDC)
EDR0072A03	3	500	18	2.4	0.8	11.0
EDR0072A05	5	500	50	3.2	0.8	11.0
EDR0072A06	6	500	72	3.8	0.8	11.0
EDR0072A08	8	700	92	6.0	0.8	18.0
EDR0072A09	9	700	116	6.0	0.8	18.0
EDR0072A12	12	1050	138	8.0	0.8	22.0
EDR0072A24	24	2080	277	16.0	0.8	32.0
EDR0072B03	3	500	18	2.4	0.8	3.6
EDR0072B05	5	500	50	3.75	0.8	6.0
EDR0072B06	6	500	72	4.5	0.8	7.2
EDR0072B08	8	700	92	6.0	0.8	9.6
EDR0072B09	9	700	116	6.75	0.8	10.8
EDR0072B12	12	1050	138	9.0	0.8	14.4
EDR0072B24	24	2080	277	18.0	0.8	28.8
EDR0151A03	3	500	18	2.4	0.8	3.6
EDR0151A05	5	500	50	4.0	0.8	6.0
EDR0151A06	6	500	72	4.8	0.8	7.2
EDR0151A08	8	700	92	6.4	0.8	9.6
EDR0151A09	9	700	116	7.2	0.8	10.8
EDR0151A12	12	1050	138	9.6	0.8	14.4
EDR0151A24	24(18)	2080	277	14.4	0.8	28.8



■ **DIMENSIONS (UNIT: mm)**



**Wiring Diagram and PCB Layout (Top View)**

