

1mm Contact Spacing, ZIF Type Board To FPC Connectors

EFC-PM24 SERIES

■ FEATURES

- 1mm contact spacing.
- No. of contacts: 4~34 pin.
- Connector Height: 2.7mm (H-Type), 5.9mm (V-Type)
- Available in tube or embossed type for automatic mounting.

■ SPECIFICATIONS

1.ELECTRICAL

- Voltage rating: 200VAC
- Current rating: 0.5A
- Contact resistance:
20mΩ max.(initial),
40mΩ max.(final)
- Insulation resistance: 100MΩ min.

2.MECHANICAL

- Durability: Mate & Unmate with applicability for 20 times, Contact resistance: 20mΩ max.(initial), 40mΩ max.(final)
- Operating force (Slider): 0.2kgf*n (1.96N*n) max. (n: Pin)
- Cable holding force: 0.05kgf*n (0.49N*n) min. (n: Pin)
- Contact retention force: 0.5kgf (0.98N) min.

■ MATERIALS

1.MATERIAL

- Contacts: Copper Alloy
- Insulator Housing:
High Temp. Thermoplastic
- Slide: High Temp. Thermoplastic
- Hold Down: Copper Alloy

2.PLATING

Contact:

- Nickel In All Area
- Tin & Au over Nickel (RoHS Compliant)
- Tin over Nickel (RoHS Compliant)

Hold Down:

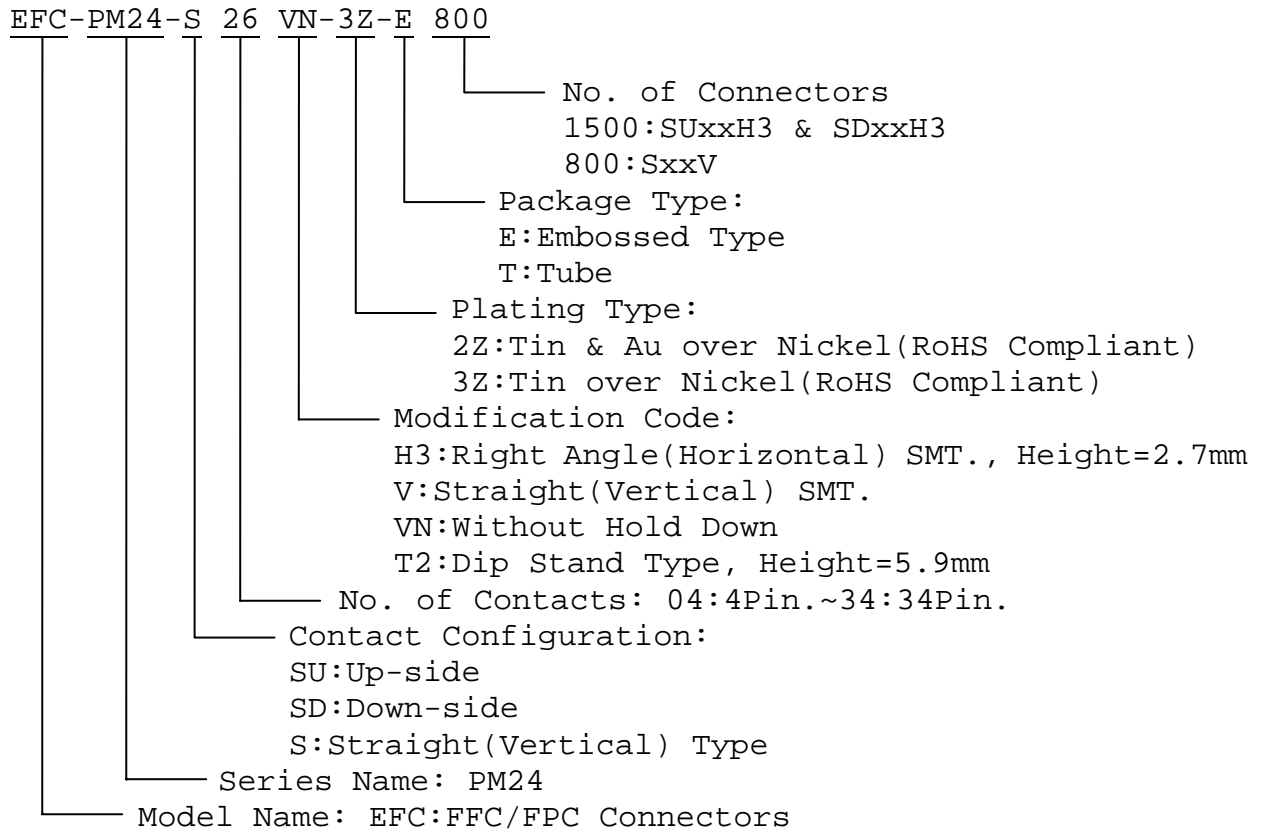
- Nickel In All Area
- Tin over Nickel (RoHS Compliant)

■ PACKING

1.Packing method

- All connectors are packed in reel or tube methods.

■ PART NUMBERING SYSTEM

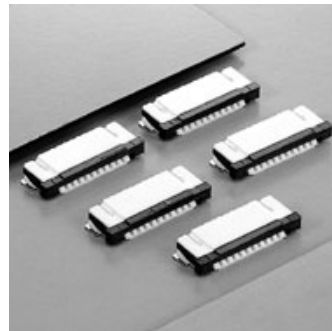


■ DRAWING

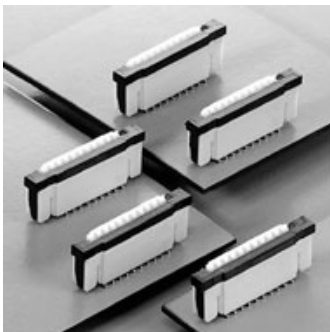
EFC-PM24-SUH3**



EFC-PM24-SDH3**



EFC-PM24-SV**

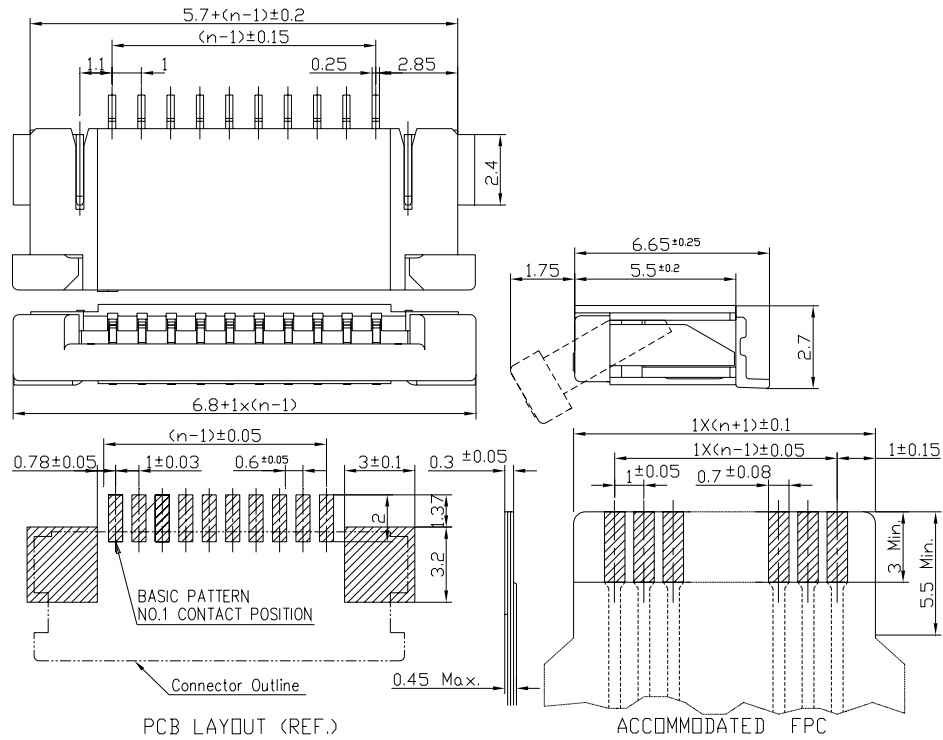


EFC-PM24-ST2**



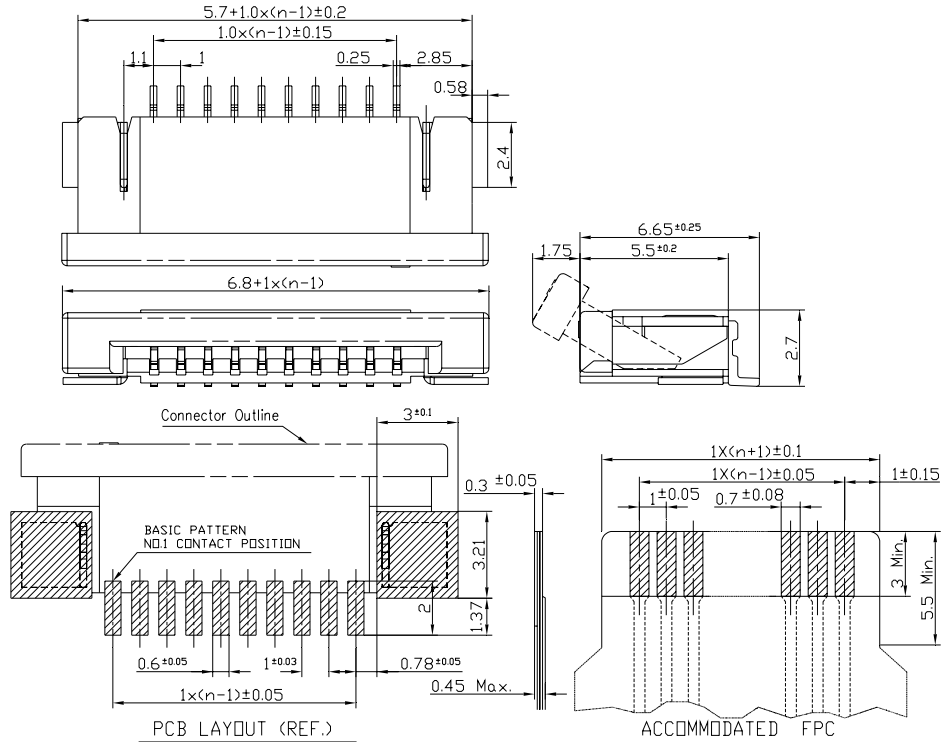
EFC-PM24-SU**H3 UNIT:mm

Connection Style:Right Angle Up side Type

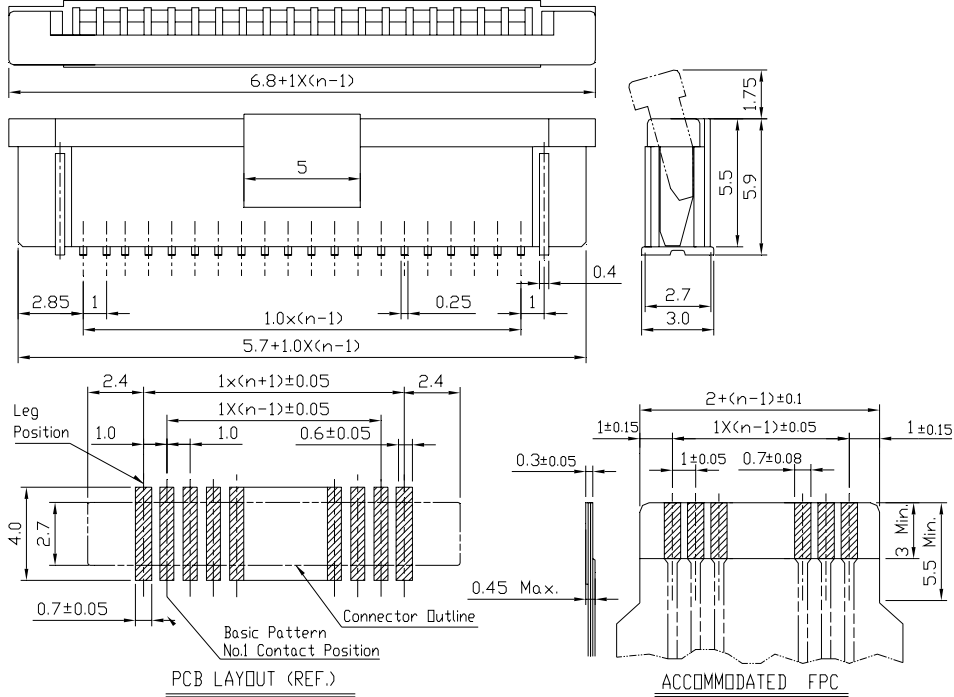


EFC-PM24-SD**H3 UNIT:mm

Connection Style:Right Angle Down side Type



EFC-PM24-S**V UNIT:mm
Connection Style: Straight (Vertical) Type



EFC-PM24-S**T2 UNIT:mm
Connection Style: Straight (Vertical) Type

