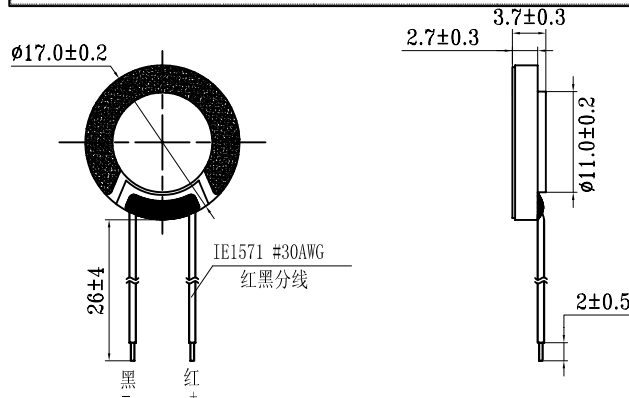
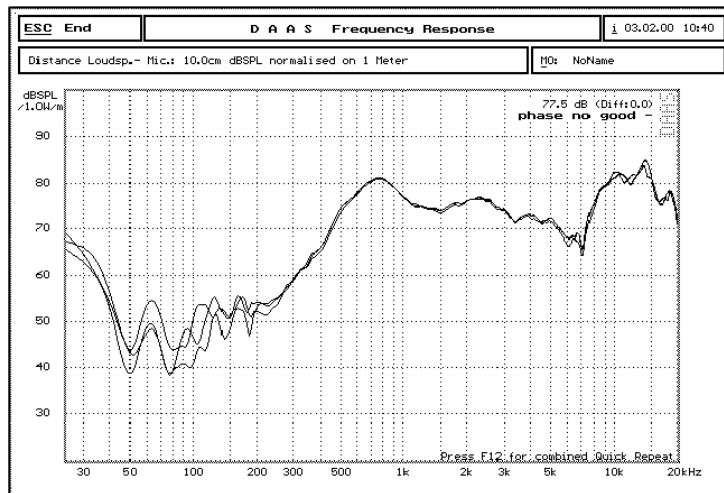


XIAMEN HONCH INDUSTRIAL SUPPLIERS CO LTD

TEL:+86-592-5020537 FAX: +86-592-5020137 <http://www.globalsources.com/honch.co>

1	MODEL	F17P01B(GP) (17CS08PX-25NT+COVER+WIRE)
2	Dimension	Outer Diameter 17.0 mm Baffle Opening 16.5 mm.
		Height Refer to drawing Weight 1.5 Gram.
3	Magnet	Materials Rare Earth Size $\phi 7.8 \times 1.2$ mm.
4	Nominal Impedance	8 Ohm $\pm 15\%$
5	Power Rating	Normal 0.5 W. Maximum 1.0 W.
6	Lowest Resonant Frequency	730 \pm 146 Hz
7	Output Sound Pressure Level	77 \pm 3 dB / 1 Watt 1 Meter.
		Average at 800,1000,1200,1500 Hz
8	Frequency Range	420~20K Hz. Average SPL-10 dB.
9	Distortion	5 % Maximum At 1000 Hz 0.5 W.
10	Abnormal Sound Test	Must be Normally Tested By 2.0 Volts Sine Wave.
11	Load Test	White Noise with Weighted Filter 2.0 Volts. (RMS) 24 Hrs.
12	Operation Temperature	-25°C ~ +50°C
13	Storage Temperature	-40°C ~ +60°C
14	Polarity	Diaphragm shall move Forward when Apply a Positive DC
		Current to the "+" or "Marked" Terminal.
15	Remarks	Above specifications on the strength of CNS4784 and CNS4785.



Unit:mm

0702A

Admitted:

Approved:

Made: