



**FU WANG**  
ELECTRIC MANUFACTURING CO., LTD.

**FULLY** MOTOR CO. LIMITED

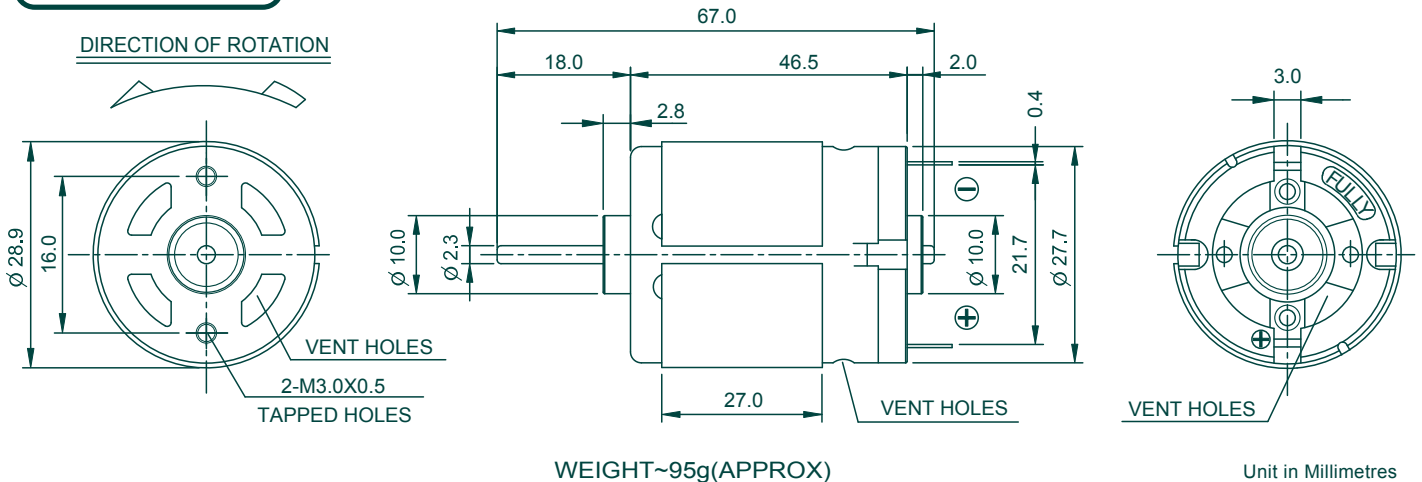


## DESCRIPTION FRS-385SPL

### APPLICATIONS:

- Linear Actuator

### DRAWING



### PERFORMANCE DATA

OUTPUT : APPROX 1.0 ~ 8.0W

MODEL	VOLTAGE		NO LOAD		AT MAXIMUM EFFICIENCY					AT MAXIMUM POWER			STALL		NOISE (Max) dBA 300mm
	OPERATING RANGE	NOMINA	SPEED	CURRENT	SPEED	CURRENT	TORQUE	OUTPUT	EFF	SPEED	CURRENT	TORQUE	TORQUE	CURRENT	
	V	V	R.P.M	A	R.P.M	A	gf.cm	W	%	R.P.M	A	gf.cm	gf.cm	A	
FRS-385SPL-2357VD	3.0~12.	6.	404	0.1	337	0.6	64.	2.	61.	202	1.4	192.	38	2.7	60
FRS-385SPL-2357V	6.0~12.	6.	404	0.1	337	0.6	65.	2.	61.	202	1.5	19	39	2.8	68
FRS-385SPL-1964C	6.0~18.	12.	700	0.1	570	0.6	95.	5.	70.	350	1.5	26	52	2.9	72
FRS-385SPL-17115VD	6.0~24.	12.	404	0.1	337	0.3	70.	2.	61.	202	0.7	21	42	1.4	60
FRS-385SPL-17101C	6.0~24.	12.	510	0.1	440	0.3	70.	3.	70.	255	1.1	25	51	2.1	68
FRS-385SPL-14160C	12.0~24.	12.	275	0.0	227	0.1	52.	1.	53.	137	0.4	150.	30	0.7	45
FRS-385SPL-14150C	12.0~24.	24.	600	0.0	506	0.3	10	5.2	60.	300	0.9	32	64	1.8	72
FRS-385SPL-10133	12.0~24.	24.	692	0.0	584	0.1	52.	3.	68.	346	0.5	16	33	0.9	75

HONG KONG OFFICE : 12/F., J GOLD KING IND. BLDG., 35-41 TAI LIN PAI RD., KWAI CHUNG, N.T., H.K.

TEL: (852) 2424 0763 FAX: (852) 2480 1684

CHINA FACTORY : YAN TIAN, FENGGANG, DONGGUAN, GUANGDONG, CHINA.

TEL: (86) 769-777 3227 FAX: (86) 769-777 1791

© COPYRIGHT  
FU WANG ELECTRIC MANUFACTURING CO., LTD.  
FULLY MOTOR CO. LIMITED All Rights Reserved, Infringers Will Be

URL: <http://www.fullymotor.com>  
E-MAIL: [sales@fullymotor.com](mailto:sales@fullymotor.com)