

# UMT1018 UHF-U-CODE ON METAL TAG USLI019 U-CODE GLASS LABEL



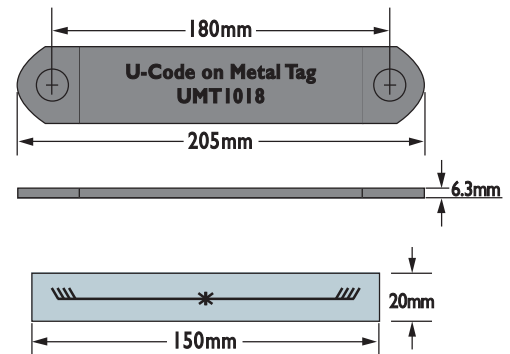
## UMT1018 UHF-U-CODE ON METAL TAG

- Metal-Mounting Tag for Vehicles / Containers / Assets
- Designed for Mounting Directly on Metal
- Circuit and Antenna Housed in Protective Plastic
- Adhesive Backing for Simple Installation
- Attaches to Flat Surface for Long-Range Reading
- True Hands-Free Access Control
- Screw holes for secure exterior mounting

<b>Technology</b>	Passive UHF proximity at 902-928 MHz Frequency-hopping limits interference and requires no FCC license
<b>Security</b>	The UMT-1018/1019 tags can be programmed with trillions of unique codes
<b>Long Life</b>	No battery; capable of an infinite number of reads to assure years of maintenance-available
<b>Read Range</b>	5~7m when UMT-1018/1019 tag is attached by adhesive to a flat surface, per installation Instructions
<b>Warranty</b>	UMT-1018/1019 tags are warranted for one year against defects in material and workmanship (see detailed warranty policy)

## HF TAG 13.56MHZ , Smart Lable Specification

Supported Standard IC	Phillips I-code-I,I-code-SLI,I-code-EPC,Mifare I (S50) , Mifare Ultralight , Infineon my-d (55B02P,55B10P)
Frequency	13.56MHz+200KHz
Data retention(years)	10
Write endurance(cycles)	100,000
Antenna Type	Etch
Inlay material	PET
Lable material	Paper
Operating temperature	-5°C to +60°C
Storage temperature	-5°C to +60°C



## Specification : Standard products

Lable die-cut size	Antenna coil size	A4 size Sheet Lable Qty	IC
54x86mm	45x75mm	9 pcs	I-code-I,I-code-SLI,MifareS50,ultralight
20x50mm	15x45mm	30 pcs	I-code-I,I-code-SLI,MifareS50,ultralight
45x45mm	40x40mm	12 pcs	I-code-I,I-code-SLI,MifareS50,ultralight
50x50mm	40x40mm	10 pcs	I-code-I,I-code-SLI,MifareS50,ultralight
15x36mm	9x25mm	12 pcs	Phillips I-code-I,I-code-SLI, I-code-EPC
100x75mm	68x96mm	6 pcs	I-code-I ,I-code-SLI,MifareS50,ultralight
40mm	35mm	24 pcs	I-code-I ,I-code-SLI,MifareS50,ultralight
30mm	25mm	35 pcs	I-code-I ,I-code-SLI,MifareS50,ultralight

## Specification : Standard products

Lable die-cut size	Antenna coil size	A4 size Sheet Lable Qty	IC
54x86mm	45x75mm	1000	I-code-I,I-code-SLI,MifareS50,ultralight
20x50mm	15x45mm	1000	I-code-I,I-code-SLI,MifareS50,ultralight
45x45mm	40x40mm	1000	I-code-I,I-code-SLI,MifareS50,ultralight
50x50mm	40x40mm	1000	I-code-I,I-code-SLI,MifareS50,ultralight
40mm	35mm	1000	I-code-I,I-code-SLI,MifareS50,ultralight

## Roll Type Specification

Roll width	60 mm	60 mm	60 mm
Roll Pitch	96 mm		
Antenna type	Etch		
Finishing	with & without printing		
Operating frequency	-5°C to +60°C (with no icing)		
Operating distance	-5°C to +60°C (with no icing)		

## Application

- Library and rental sectors and book store
- Supply chain management
- Parcel and post
- Garment tags
- Baggage tagging