

JOD-DC25 Series

FEATURES

- Wide Input Voltage 11VDC to 26VDC
- Optional Output Connectors
- High Reliability & Efficiency
- Compact low profile package



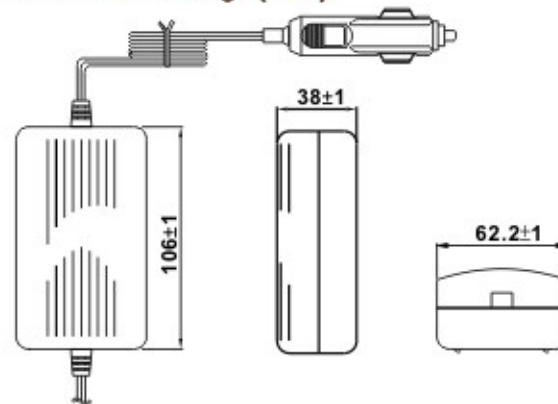
SPECIFICATIONS

Input voltage.....	11~26VDC
Input current.....	21A at 12VDC
Ripple and Noise.....	210mV
Efficiency.....	70% typical
O.L.P.	120%~150% output pulsing mode
O.V.P.	33.6V of output voltage
Operating Temperature.....	0°C ~ 40°C
Operating Humidity.....	0% ~ 90%
Storage Temperature.....	-20°C ~ 80°C
Storage Humidity.....	10% ~ 90%
Weight.....	150g

MODEL LIST

Model No.	Output Voltage	Output Current	Max Output Power
JOD-DC25-0	3~5VDC	5.0~3.0A	15W
JOD-DC25-1	5~6VDC	3.6~3.0A	18W
JOD-DC25-2	6~8VDC	3.0~2.2A	18W
JOD-DC25-3	8~11VDC	2.5~1.8A	20W
JOD-DC25-4	13~16VDC	1.5~1.2A	20W
JOD-DC25-5	16~21VDC	1.2~0.9A	20W
JOD-DC25-6	21~27VDC	1.1~0.9A	25W
JOD-DC25-7	27~33VDC	0.9~0.7A	25W
JOD-DC25-8	33~48VDC	0.7~0.5A	25W

Mechanical Drawing: (mm)



PSD25 / 40 Series

FEATURES



PSD25

PSD40

SPECIFICATIONS

Input Voltage.....	11VDC~26VDC
Efficiency.....	70% typ.
Voltage Tolerance.....	±5%
Ripple & Noise.....	1%p-p max.
Temperature coefficient.....	0.05%/°C
Operating Temperature	0 to +40°C
Sotrage Temperature	-20 to 85°C
Short circuit protection.....	Fuse
Weight.....	Approx 200~250g

- Wide input 11VDC to 26VDC
- Compact Low Profile Package

- High Efficiency & Reliability
- Optional Output Connectors

MODEL LIST

Model	Vout	Iout	Max. Pout
PSD25-0	3~5VDC	5.0~3.0A	15W
PSD25-1	5~6VDC	3.6~3.0A	18W
PSD25-1-1	6~8VDC	3.0~2.2A	18W
PSD25-2	8~11VDC	2.5~1.8A	20W
PSD25-4	13~16VDC	1.5~1.2A	20W
PSD25-5	16~21VDC	1.2~0.9A	20W
PSD25-6	21~27VDC	1.1~0.9A	25W
PSD25-7	27~33VDC	0.9~0.7A	25W
PSD25-8	33~48VDC	0.7~0.5A	25W
PSD40-0	3~5VDC	6.6~4.0A	20W
PSD40-1	5~6VDC	5.0~4.1A	25W
PSD40-1-1	6~8VDC	5.0~3.7A	30W
PSD40-2	8~11VDC	4.3~3.1A	35W
PSD40-4	13~16VDC	2.9~2.3A	38W
PSD40-5	16~21VDC	2.5~1.9A	40W
PSD40-6	21~27VDC	1.6~1.4A	40W
PSD40-7	27~33VDC	1.4~1.2A	40W
PSD40-8	33~48VDC	1.2~0.8A	40W

Mechanical Drawing: (mm)

