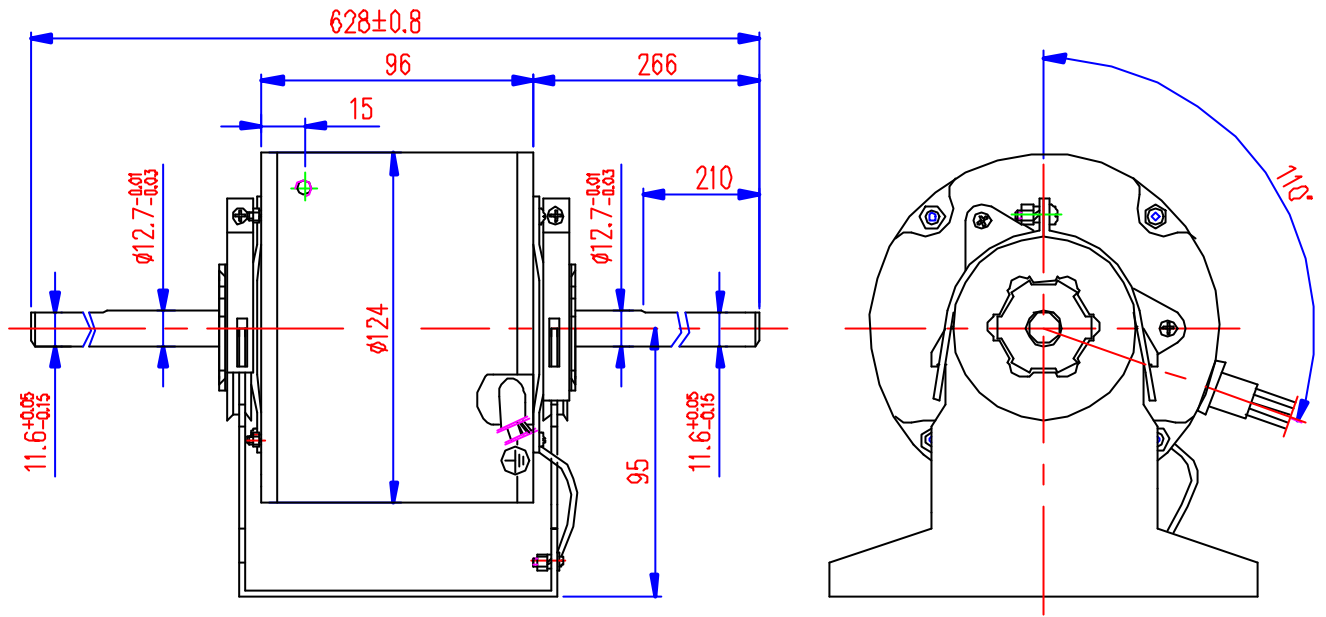
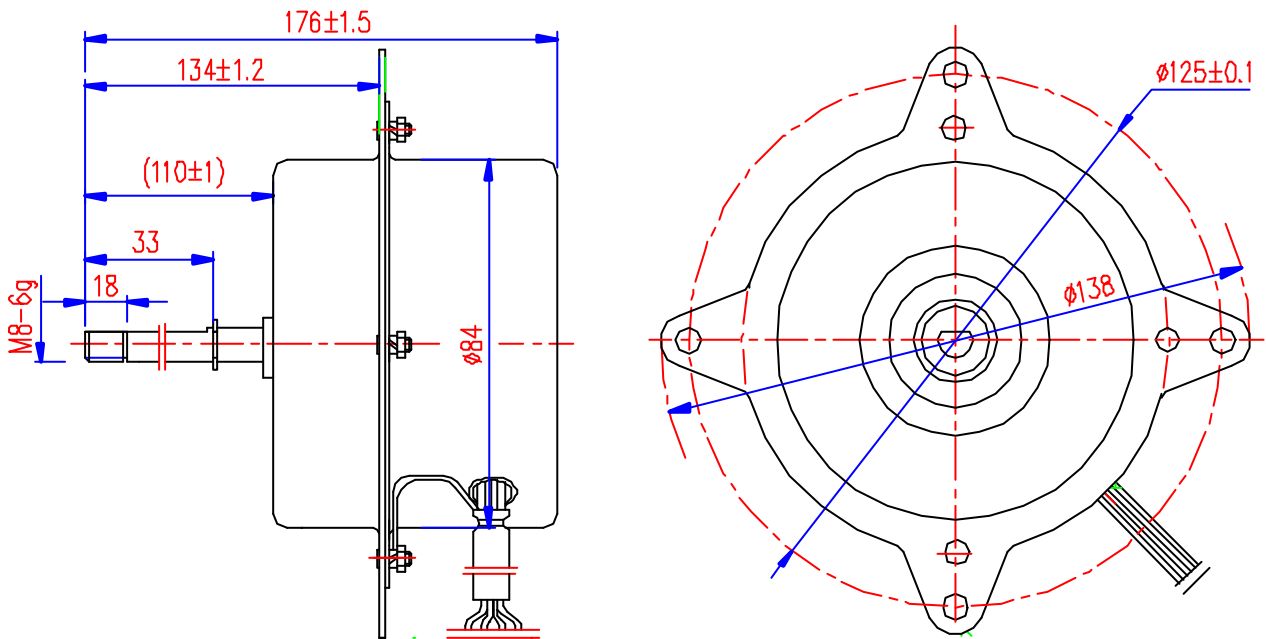


YDK-120B-4



YDK-15F-4



Motor Model	Voltage (V)	Frequency (Hz)	Speed (rpm)	Output Power(W)	Capacitance (μF)	Poles (P)	Use
YDK-120B-4	230	60	1300	100	7.5	4	Air-Conditioner fan motor
YDK-15F-4	220	50	1130	15	1.5	4	Air-Conditioner fan motor