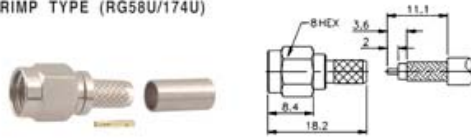


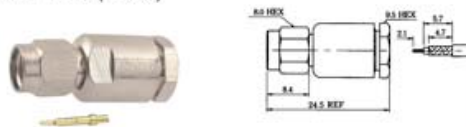
M5000
SMA MALE CRIMP TYPE (RG58U/174U)



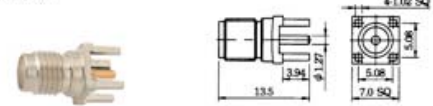
M5013
SMA FEMALE BULKHEAD



M5001
SMA MALE CLAMP TYPE (RG58U)



M501310
SMA FEMALE PCB MOUNT



M5004
SMA FEMALE CRIMP TYPE (RG58U / 174U)



M501315
RIGHT ANGLE SMA FEMALE PCB MOUNT



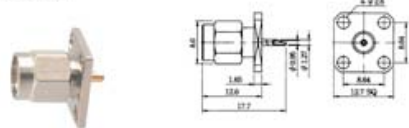
M5006
SMA FEMALE BULKHEAD CRIMP TYPE (RG58U / 174U)



M5014
DOUBLE SMA MALE



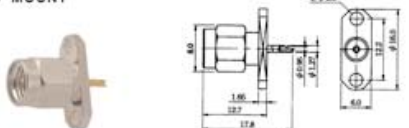
M5008
SMA MALE CHASSIS MOUNT



M5015
SMA MALE TO BNC MALE



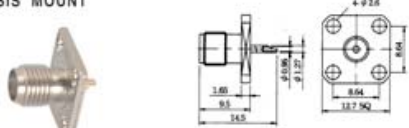
M5009
SMA MALE CHASSIS MOUNT



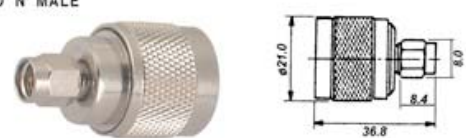
M5016
SMA MALE TO BNC FEMALE



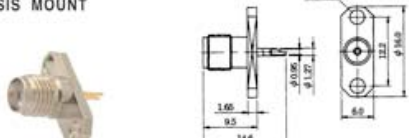
M5010
SMA FEMALE CHASSIS MOUNT



M5017
SMA MALE TO N MALE



M5011
SMA FEMALE CHASSIS MOUNT



M5018
SMA MALE TO N FEMALE


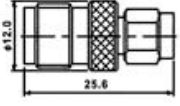

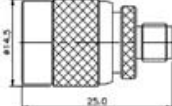

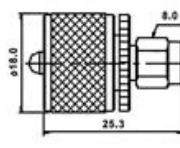

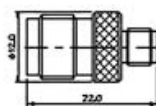

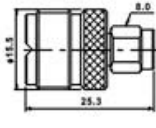

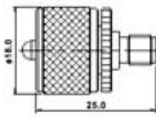

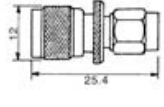

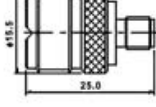

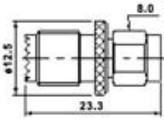

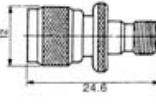

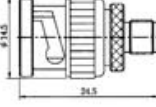

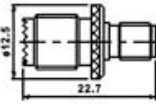

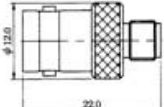

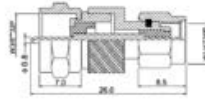

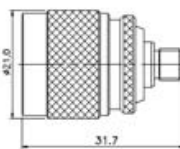

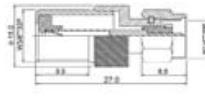

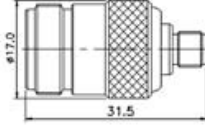

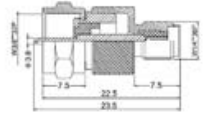



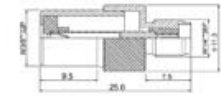

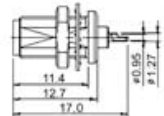

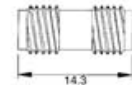

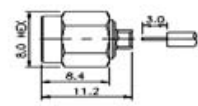

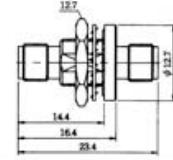

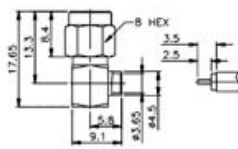

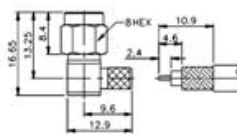

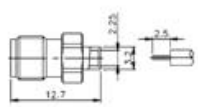

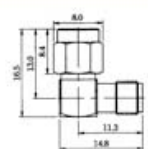

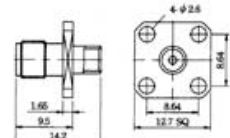



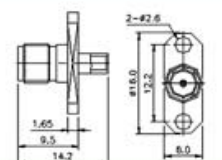

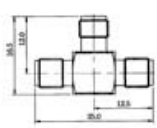

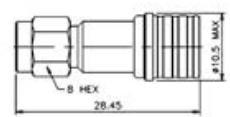

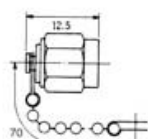

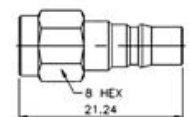

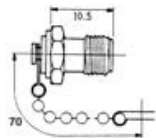

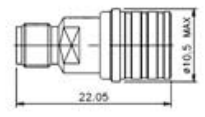
M5012
SMA MALE BULKHEAD


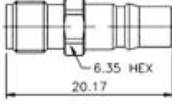

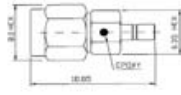

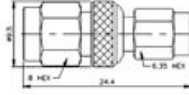

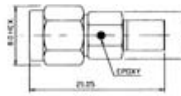

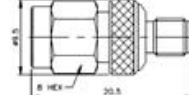

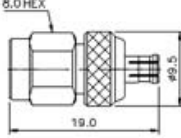

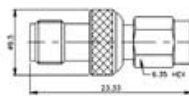

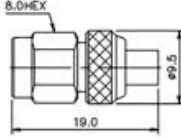

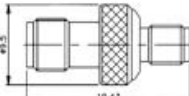

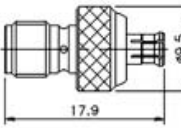

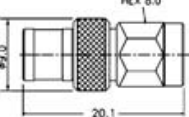

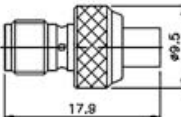

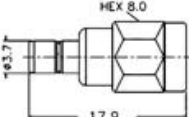

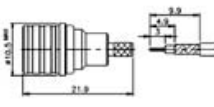



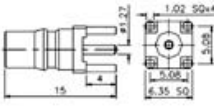

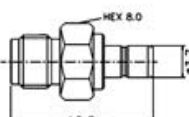


M5019
SMA MALE TO TNC MALE



<p>M5020 SMA MALE TO TNC FEMALE</p>  	<p>M5029 SMA FEMALE TO TNC MALE</p>  
<p>M5021 SMA MALE TO UHF MALE</p>  	<p>M5030 SMA FEMALE TO TNC FEMALE</p>  
<p>M5022 SMA MALE TO UHF FEMALE</p>  	<p>M5031 SMA FEMALE TO UHF MALE</p>  
<p>M5023 SMA MALE TO MINI UHF MALE</p>  	<p>M5032 SMA FEMALE TO UHF FEMALE</p>  
<p>M5024 SMA MALE TO MINI UHF FEMALE</p>  	<p>M5033 SMA FEMALE TO MINI UHF MALE</p>  
<p>M5025 SMA FEMALE TO BNC MALE</p>  	<p>M5034 SMA FEMALE TO MINI UHF FEMALE</p>  
<p>M5026 SMA FEMALE TO BNC FEMALE</p>  	<p>M503450 SMA MALE TO F MALE</p>  
<p>M5027 SMA FEMALE TO N MALE</p>  	<p>M503451 SMA MALE TO F FEMALE</p>  
<p>M5028 SMA FEMALE TO N FEMALE</p>  	<p>M503452 SMA FEMALE TO F MALE</p>  

<p>M503453 SMA FEMALE TO F FEMALE</p>  	<p>M5043 SMA FEMALE BULKHEAD</p>  
<p>M5035 DOUBLE SMA FEMALE</p>  	<p>M5050 SMA MALE SOLDER TYPE FOR SEMI-RIGID CABLE (RG402U/405U)</p>  
<p>M5036 DOUBLE SMA FEMALE BULKHEAD</p>  	<p>M5051 RIGHT ANGLE SMA MALE SOLDER TYPE FOR SEMI-RIGID CABLE (RG402U/405U)</p>  
<p>M5037 RIGHT ANGLE SMA MALE CRIMP TYPE (RG58U / 174U)</p>  	<p>M5052 SMA FEMALE SOLDER TYPE FOR SEMI-RIGID CABLE (RG402U/405U)</p>  
<p>M5038 RIGHT ANGLE SMA MALE TO FEMALE</p>  	<p>M5053 SMA FEMALE CHASSIS MOUNT (RG402U/405U)</p>  
<p>M5039 T-TYPE SMA MALE TO DOUBLE FEMALE</p>  	<p>M5054 SMA FEMALE CHASSIS MOUNT (RG402U/405U)</p>  
<p>M5040 T-TYPE TRIPLE SMA FEMALE</p>  	<p>M50550 SMA MALE TO QMA MALE</p>  
<p>M5041 PROTECTIVE CAP FOR SMA FEMALE</p>  	<p>M50551 SMA MALE TO QMA FEMALE</p>  
<p>M5042 PROTECTIVE CAP FOR SMA MALE</p>  	<p>M50552 SMA FEMALE TO QMA MALE</p>  

<p>M50553 SMA FEMALE TO QMA FEMALE</p>  	<p>M50575 SMA MALE TO SSMB FEMALE (GOLD PLATED)</p>  
<p>M50560 SMA MALE TO SSMA MALE</p>  	<p>M50576 SMA MALE TO SSMB MALE (GOLD PLATED)</p>  
<p>M50561 SMA MALE TO SSMA FEMALE</p>  	<p>M50580 SMA MALE TO MCX MALE</p>  
<p>M50562 SMA FEMALE TO SSMA MALE</p>  	<p>M50581 SMA MALE TO MCX FEMALE</p>  
<p>M50563 SMA FEMALE TO SSMA FEMALE</p>  	<p>M50582 SMA FEMALE TO MCX MALE</p>  
<p>M50570 SMA MALE TO SMB MALE</p>  	<p>M50583 SMA FEMALE TO MCX FEMALE</p>  
<p>M50571 SMA MALE TO SMB FEMALE</p>  	<p>M50600 QMA MALE CRIMP TYPE (RG174U)</p>  
<p>M50572 SMA FEMALE TO SMB MALE</p>  	<p>M50605 QMA FEMALE PCB MOUNT</p>  
<p>M50573 SMA FEMALE TO SMB FEMALE</p>  	<p>M50607 RIGHT ANGLE QMA FEMALE PCB MOUNT</p> 