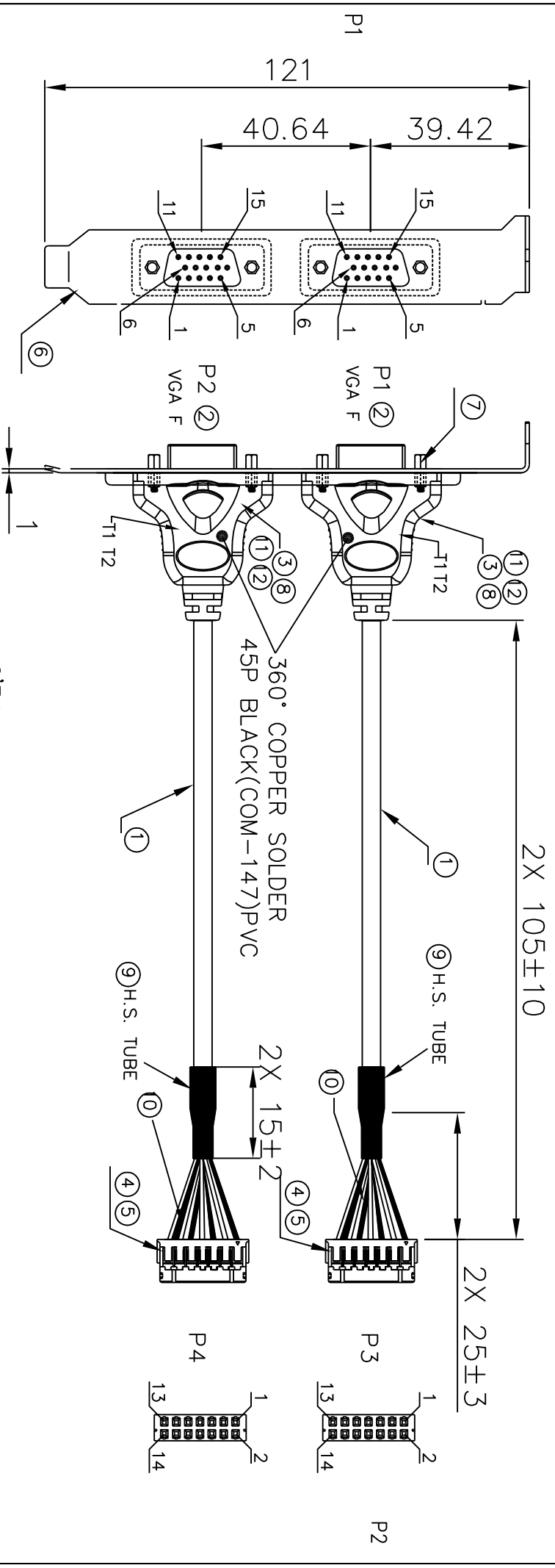


T/NO.	T1:	
	T2:	

REVISIONS		DATE	APPROVED
REV	DESCRIPTION		



SPECIFICATION

Q'TY

1. UL 20276 (COAX/32AWG+SPIRAL SHIELD)*3+30AWG/3P, AL/MYLAR-BRAID, OD=5.0MM, COLOR: BLUE (PANTONE 661C), L=150±5MM 2
2. HD9 15PIN FEMALE, WITH UNT, SOLDER TYPE, GOLD FLASH, INSULATOR COLOR: BLUE. (PANTONE 661C) 2
3. Copper foil: L*W=80*45MM 2
4. TER: Qiaoye P/N: JYT2007-T TINNED PLATED 26
5. PITCH: 2.0MM, 2*7PIN WHITE, Qiaoye P/N: JYT2007-14 2
6. Support nickel plating, L=120MM, (HD15 F 2 hole, Screw 4 hole) 1
7. Nickel plating SCREW#4-40UNC 4.75*11.8MM Hexagon 4
8. UL 1007 28AWG L=37MM 6
9. H.S. Tube: 5.5MM*15MM (Ordinary) 2
10. H.S. Tube: 1.5MM*25MM 16
11. H.S. Tube: 2.0MM*10MM 12
12. H.S. Tube: 1.5MM*8MM 14
13. Label: L*W=50*15MM 1

Comlink		ELECTRONICS CO.LTD S.	
DRAWN BY	Zhuyu.yu	DATE	2006-07-25
CHECKED BY		DATE	
APPROVED BY		DATE	
TITLE		PART NUMBER	
VGA 10P HOUSING CABLE ASSEMBLY		TO12-R004	
DRAWING NUMBER		UNITS:	
SCALE:		SCALE:	
REV. A0		SCALE: NONE	
SIZE: A4		SHEET: 1/1	
TOLERANCES UNLESS NOTED:			