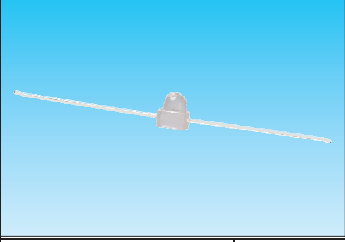
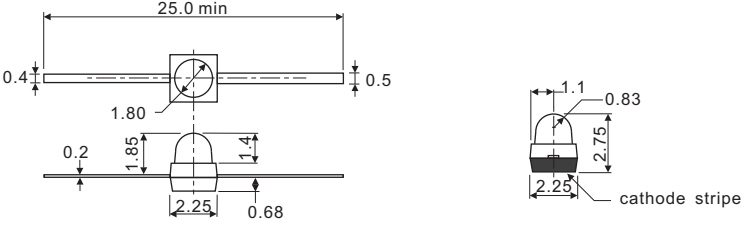


Infrared Emitters



Ta=25°C

Device No	Wavelength	Lens Color	Forward Voltage		Radiant Output Power (mw/sr)			View Angle 2θ1/2
	λp(nm)		Typ(V)	IF(mA)	Minimum	Typical	IF(mA)	

φ 1.8													
			HIRMIB-4C	940	Water clear	1.21	20	3.0			8.0	20	25
			HIRMIB-4D	940		1.18		3.0			8.0		
			HIRMIB-4E	880		1.35		3.0			6.0		
			HIRMIB-4G	850		1.47		4.0			10.0		