

Characteristics

Insulation Resistance	1000MΩ min (at 500VDC)	Item 7 of IEC255-5
Dielectric Strength		
Between open Contacts	1000VAC 1min	Item 6 of IEC255-5 Item 6 of IEC255-5 FCC68 FCC68
Between coil & Contacts	1500VAC 1min	
Between Contact Poles	1000VAC 1min	
Surge Withstand Voltage	1500V	
Between open Contacts	2500V	
Shock resistance	Functional:750m/s ² 11ms; Survival:1000 m/s ² 6ms	IEC68-2-27 Test Ea
Vibration resistance	10~55Hz Double amplitude Functional:3.3mm Survival:5mm	IEC68-2-6 Test Fc
Terminals strength	5N	IEC68-2-21 Test Ua1
Solderability	235°C ± 2°C 3 ± 0.5s	IEC68-2-20 Test Ta method 1
Temperature Range	-40~85°C (-40~185° F)	
Relative Humidity	5% to 85%	IEC68-2-3 Test Ca
Mass	2g	

Qualification inspection:

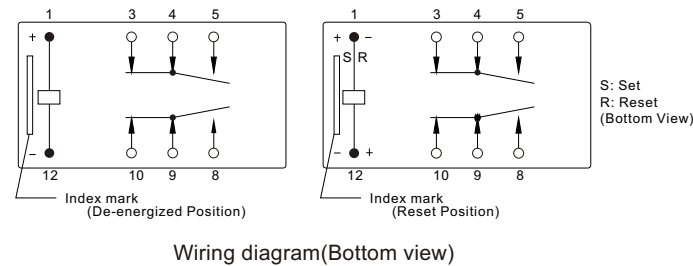
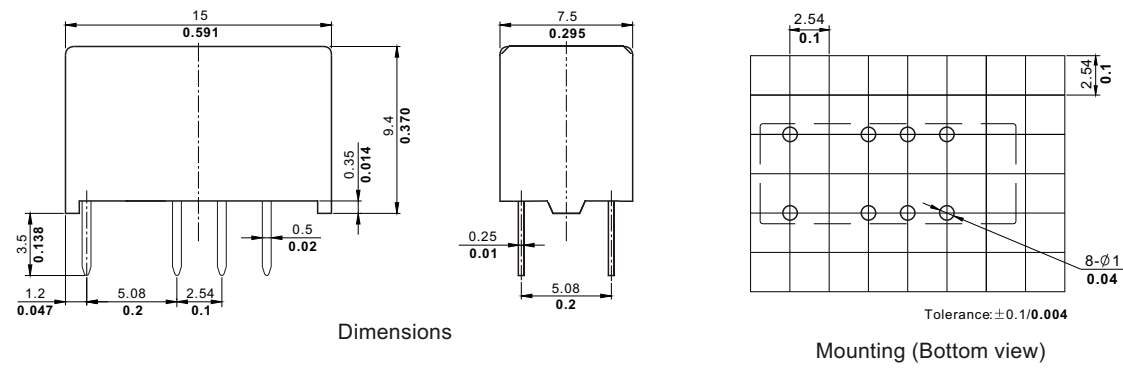
Perform the qualification test as specified in the table IV of IEC255-19-1 and minimum sample size 24.

Safety approvals

Safety approval	UL&CUR
Load	0.5A/125VAC 2A/30VDC

Dimensions

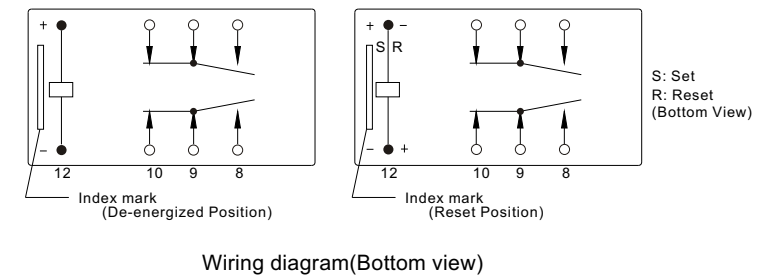
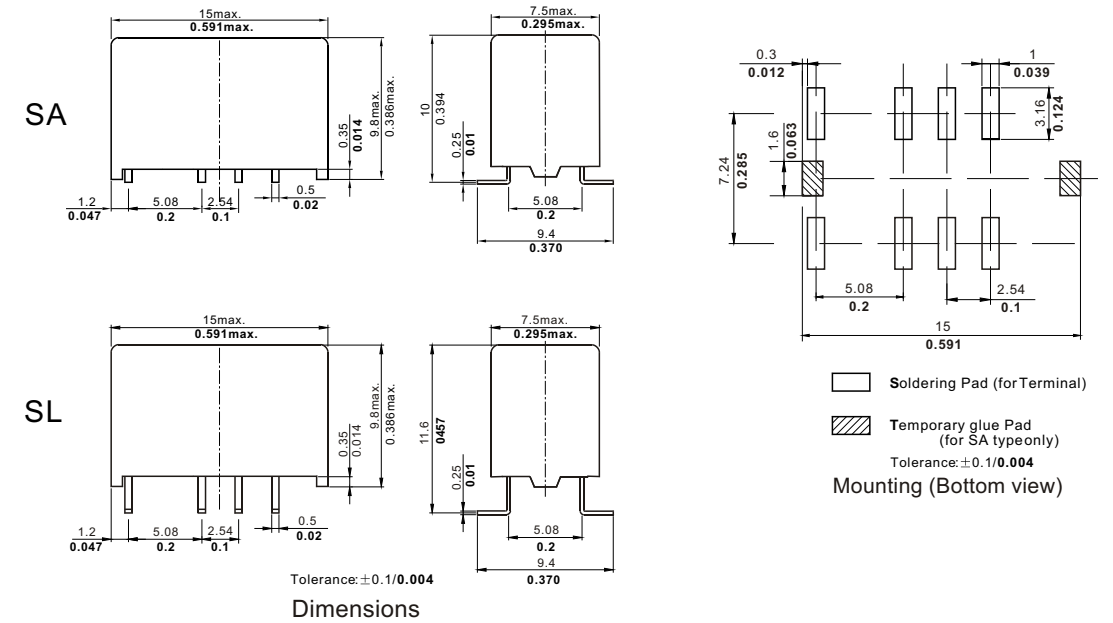
mm/inch



NOTES 1).Dimensions are in millimeters.
2).Inch equivalents are given for general information only.

Dimensions

mm/inch



NOTES 1).Dimensions are in millimeters.
2).Inch equivalents are given for general information only.