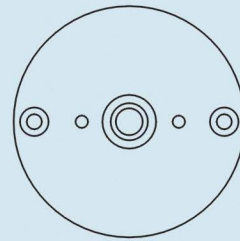
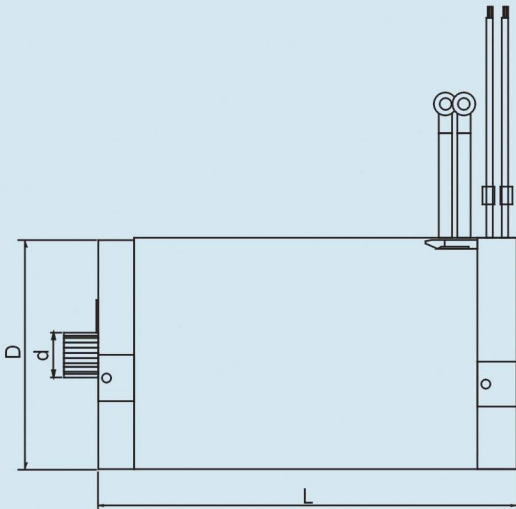




CYC-0133



Specification



Model	Dimension(mm)			No Load			Rated					Duty Cycle	Application	
	D	L	d	Speed RPM	Current A	Voltage V	Speed RPM	Torque N.M	Current A	Power W	Insulation Class			EFF %
CYC-0133	78.3	141	15	8200	12	DC24	7600	0.4	21	300	F	68	Intermittent	Power Tools

