

# WENRUN OPTOELECTRONIC

Part Number: WR-SLMR16W1WS-12V-1

## Absolute Maximum Rating ( Ta=25 )

Parameter	Symbol	Absolute Maximum Rating	Unit
Forward Current	I <sub>F</sub>	350	mA
Power Dissipation	P <sub>D</sub>	4.2	W
Electrostatic discharge	E <sub>SD</sub>	400	V
Operating Temperature Range	T <sub>opr</sub>	-25 ~ +80	
Storage Temperature Range	T <sub>stg</sub>	-40 ~ +80	

## Typical Optical/ Electrical Characteristics ( Ta=25 )

Parameter	Symbol	Typ.	Max.	Unit	Test Condition	
Luminous Flux		40	--	lm	V <sub>F</sub> =12V	
Forward Voltage DC	V <sub>F</sub>	12	--	V	I <sub>F</sub> = 350mA	
Chromaticity Coordinates	x	--	0.30	--	--	V <sub>F</sub> =12V
	y	--	0.31	--	--	V <sub>F</sub> =12V
Color Temperature	T <sub>c</sub>	5600	--	K	V <sub>F</sub> =12V	
Recommend Forward Voltage	V <sub>F</sub> (rec)	12	--	V	--	

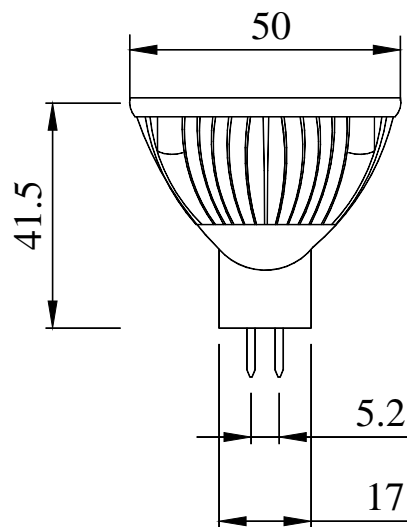
### Notes:

- 1.Tolerance of measurement of forward voltage  $\pm 0.1V$
- 2.Tolerance of measurement of luminous intensity  $\pm 15\%$

# WENRUN OPTOELECTRONIC

Part Number: WR-SLMR16W1WS-12V-1

## Package Dimensions And Materials



### Notes:

- 1.All dimension units are millimetres.
- 2.All dimension tolerance is  $\pm 0.2\text{mm}$  unless otherwise noted.