



Model No.:KA12A090100044U  
 ID No.: KA006314  
 Size:EI-41

Rev:A0  
 Issue Date:OCT-17-06  
 Sheet No.: 1 OF 11

## SPECIFICATION FOR APPROVAL

<b>APPROVED SIGNATURES/客户确认</b>
<b>DATE:</b>

CUSTOMER : DLINK

PART NO.: REV:

Please sign and return one copy.

All production units will be built according to this specifications.

<b>Manufacturer/制造商</b>				
Approved	Checked	Prepared	QA	Manufacture
温应奎	唐平	黄梅	周松平	罗素华

Product Category: AC/AC ADAPTOR      Model No.: KA12A090100044U

Input: 120VAC 60Hz      Output: 9VAC 1000mA

Unit Color: Black      Description:

### KUANTECH (SHEN ZHEN) CO., LTD

冠德科技(深圳)有限公司

地址:中国深圳市宝安区公明镇第二工业区红花路6号      邮编: 518106

ADD: 6th HongHua Rd, Gongming Town, ShenZhen city ,China P.C.: 51810

TEL: 86-755-27160388    FAX: 86-755-27160145    E-Mail:Sales@twktec.com

[Http://www.globalsources.com/kuantech.com](http://www.globalsources.com/kuantech.com)      [Http://www.twktec.com](http://www.twktec.com)

冠玮科技(深圳)有限公司

地址: 深圳市宝安区公明街道将石同富工业区第三栋一楼

TEL: 0755-83747454    FAX: 0755-83747453    E-Mail:Sales@twktec.com



**1.0 Electrical performance****1.1 Input Characteristics :**

- 1.1.1 Rated Voltage: It is normal for 120 V input AC voltage.  
1.1.2 Rated Frequency: It is normal for 60 Hz and single phase.  
1.1.3 Exciting current (I<sub>o</sub>) : 85 mA(rms) max, at input 120 VAC 60 Hz.  
1.1.4 Core Loss: 2 Watts Max, at input 120 VAC 60 Hz.

**1.2 Output Characteristics :**

Lead No.	Input Volt.	Unload Volt.	Loading Volt.	Loading Current	Ripple Volt.
	120VAC 60Hz	10.9V ±5%	AC 9V ±5%	AC 1000mA	

**1.3 Dielectric Withstand Voltage (HI- POT):**

This Adapter shall be applied 2000 VAC for 2 seconds between AC input terminal to output terminal and enclosure. The cutoff current is specified as 5 mA.

**1.4 Insulation Resistance:**

DC 500 V 10 MΩ min between input to output and enclosure.

**1.5 Temperature Rise(T<sub>a</sub>=25°C):**

AC plug input 120 V 60Hz, output load 1000 mA(AC) shall not exceed 95 degree on primary winding and secondary winding (by resistance method).

**1.6 Overload Test:**

In an ambient temperature of 25°C applies a power source of rated input with the output load adjusted to 10% of rated output and rated continuously for 4 Hours, after turning off 60 minutes in normal temperature, shall meet item 1.3~1.4.

**1.7 Life Test:**

In an ambient temperature of 25±5°C, 90~95% reliability humidity applied a rated power source of rated input with rated load and operated continuously for 8 hours, after taken out from oven. Shall meet item 1.1~1.2.

**1.8 Humidity Test:**

Temperature 40±2°C, 90~95% RH for 4 Hours after taken out from oven.  
Shall meet item 1.3~1.4.

**1.9 Protection:**

The power supply includes a thermal fuse of the nonresettable type located within the transformer primary circuit.

**2.0 Mechanical Characteristics****2.1 Strain Relief Test:**

Plug and cord, at their normal position applied a weight of 35 lbs. to input plug, 20 lbs. to output cord, for 60 seconds each, there shall be no broken of lead or other damage result.

**2.2 Cord Bending Test:**

The cord shall withstand a weight of 200 g,swinging from left to right at an angle of 120 degree, 40 cycle/min, 1000 times minimum. The cord shall be conductible.

**2.3 Drop Test:**

Product shall be dropped from a height of 100 cm, onto 1cm thickness dry wood surface 3 times from 3 different surface, shall meet item 1.3.

**ATTENTION:** The above-mentioned measurement is based on the beginning of ambient temperature. And adapter output load is resistance.

**3.0 Environmental:****3.1 Operating Temperature and Humidity Range:**

The Adapter is capable to operate over the temperature range of -10°C to 40°C (With wind), 20% to 90% relative humidity no condensation.

**3.2 Storage Temperature and Humidity Range:**

The operation specified herein will not be adversely affected if stored or transported within the temperature limits of -20°C to +70°C with relative humidity up to 90% no condensation.

**4.0 Surface Structure:**

**4.1 Appearance:** Damage rusting etc. are not permitted.

**4.2 Outline:** Dimension and express as drawing.

**4.3 Net Weight:** 280±30 g.

**4.4 Color:** Black.

**5.0 Safety & EMC:**

**5.1 Safety Standard:** 1310

**5.2 Certificate:** UL

**6.0 Reliability:**

The design and construction of this power supply shall exhibit a minimum mean time between failure of 35000 hours full rated load operation at 25°C.

**7.0 Major Measurement Equipment List:**

**7.1 Electronic performance test equipmen:** GDW2002.

**7.2 AC power source:** WEW-1005.

**7.3 HI-Pot and insulation tester:** EXTECH 7122.

**7.4 Temperature recorder:** YOKOGAWA DR130 or RDC2020.

**7.5 Resistance/Electronic Load Apparatus:** BX7-14/EL2100.

**7.6 Oven:** YUEXIN 101-0.

**7.7 AC/DC current meter:** DS4-ACI/DS4-DCI.

**7.8 Digital power meter:** Zentech 2100.

**7.9 Dual display multimeter:** FLUKE 45.

**7.10 Oscilloscope:** YB4328.

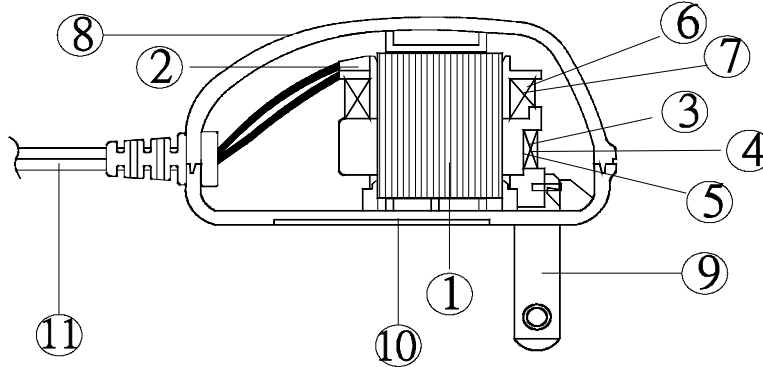
**8.0 Others:**

**8.1 Using restriction:** Dry location use only.

**8.2 Output cord length:**1.6M minimum.

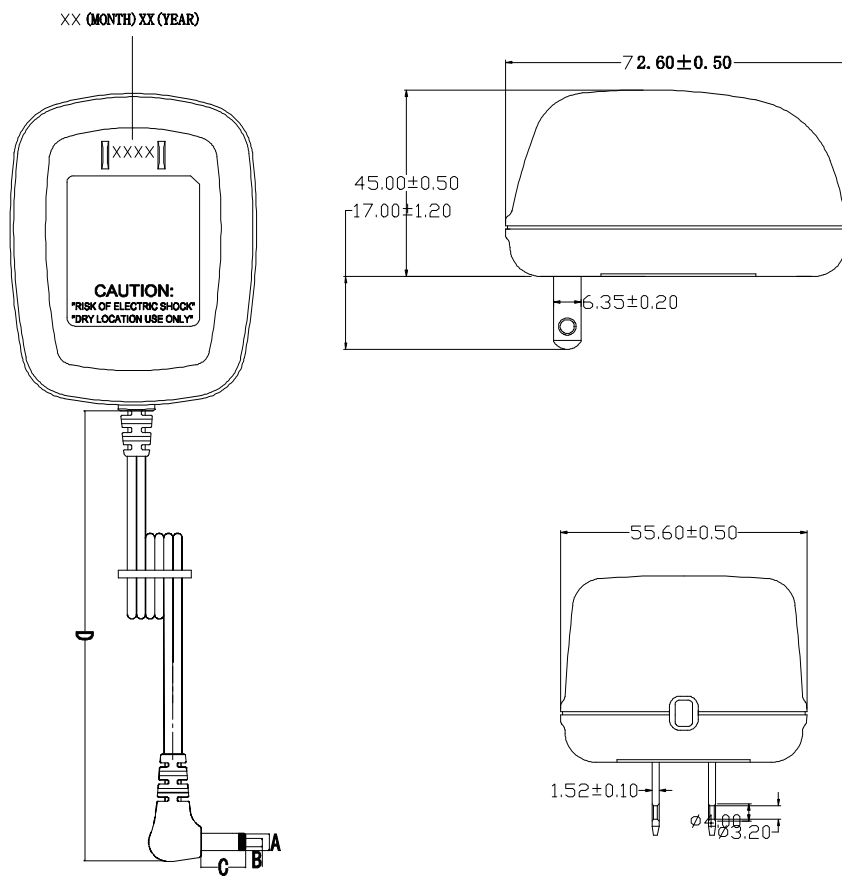


### 10.0 Construction drawing & Bill of material:



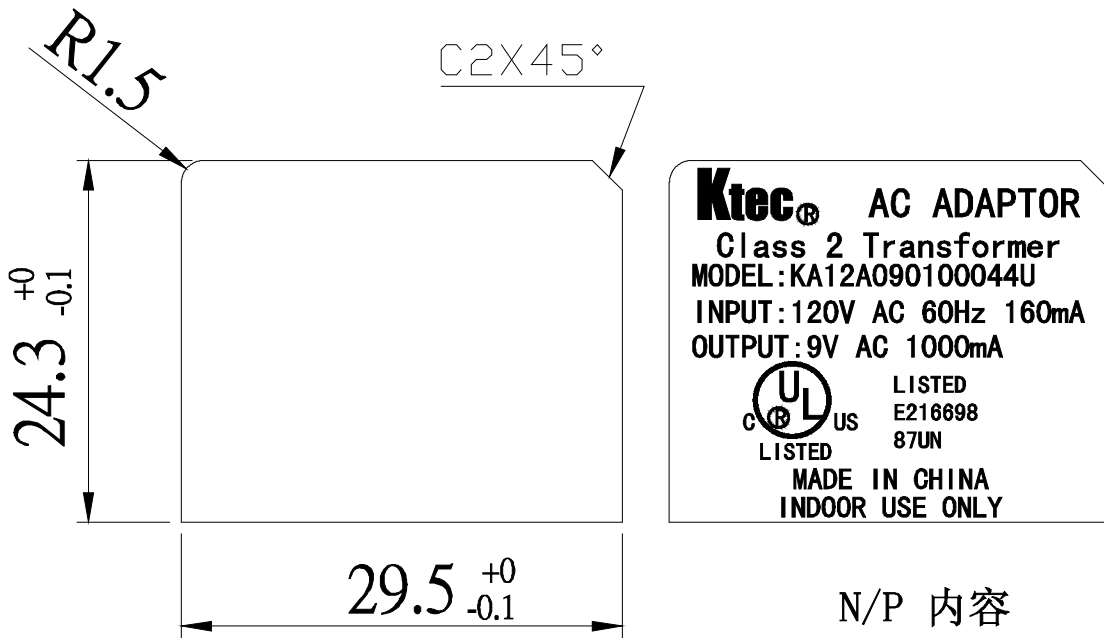
No.	Part Name	Material or Spec	Q'ty	MFR/Supplier
1	Core	Silicon Steel	EI-41	TOPPER SILISON STEEL INDUSTRY CO.LTD.02P0100287 or equivalent
2	Bobbin	Nylon 101L PET or equivalent.	1	Nan Ya Plastic Corp.(E130155)(M) DUPOND DE NEMOURS&CO INC.(E41938 ) or equivalent.
3	Primary Winding	Polyurethane EnameledCopper wire	mm turn ohm	Wa Tai Electrotechnical Materials Factory. (E243939) Huiyang golden ocean magnet wire factory.(E225143 ) or equivalent
4	Primary Winding Outer Insulation	Mylar Tape	0.025mm x2T	JINGJIANG YAHUA PRESSURE SENSITIVE GLUE CO.,LTD (E165111) or equivalent.
5	Thermal Fuse	M30 125°C 2.5A 125VAC or equivalent	1	Joint Force Metal Research &Co.Ltd( E142267) or equivalent
6	Secondary Winding	Polyurethane EnameledCopper Wire	mm turn ohm	Same as item 3.
7	Secondary Winding Outer Insulation	Mylar Tape	0.025mm x2T	Same as item 4 .
8	Enclosure	Noryl PX1700 94V-1 80 °C or equivalent.	1	GE Plastics Ltd (E161723 ) or equivalent.
9	Blade	Ni plated brass	2	Guang Long Copper And Metal Manufactuer Co., Ltd. or Spread Profit Co., Ltd. or equivalent.
10	Name Plate	Polyester Film	1	Yik Yuen Ltd.(MH26440 ) or equivalent.
11	Output Cord	AWG#22 1.5Mmin	1	Xinya Electric wire E170689 Dongguan Shipai Licheng Electronics CO.,LTD (E205058) or equivalent

## 11.0 Configuration Drawing(Unit:mm):



	A	B	C	D		
DIMENSION/尺寸	5.5	2.1	9.5	1.6M		
TOLERANCE/公差	+0/-0.1	+0/-0.1	+1/-0.5	MIN		

12. Nameplate(Unit:mm):



N/P 尺寸

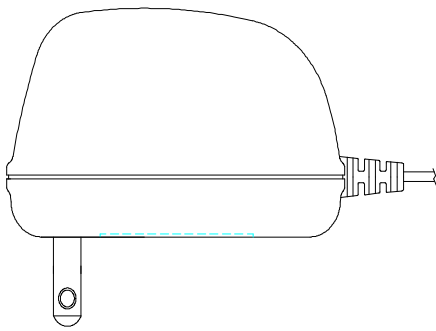
N/P 内容

Note: 0.25mm PVC (正式生产时)  
 白 characters 黑 background

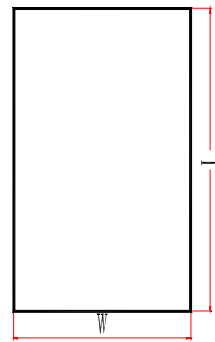
Approved By	Checked By	Prepared By

### 13. Packing Drawing((Unit:mm):

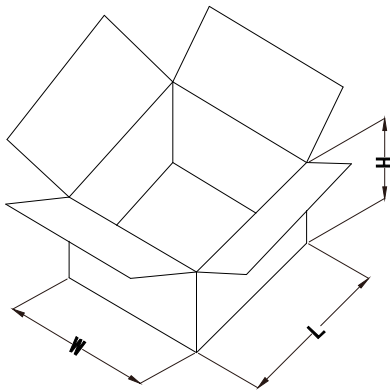
Products



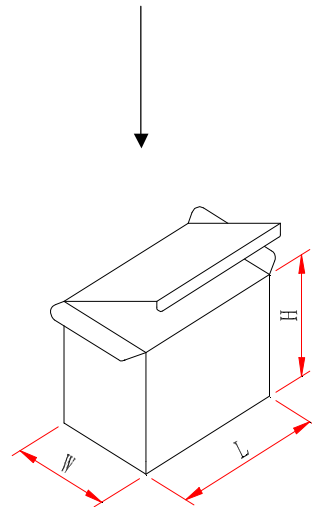
PE BAG



Outer Carton



BOX



Part Name	Part Number	Material	Dimension	Q'ty
PRODUCT		EI-41		1
PE BAG		0.03mm	180*130	1
BOX		350g	62*56*93	1
Outer Carton		A=B	340*305*200	1/45

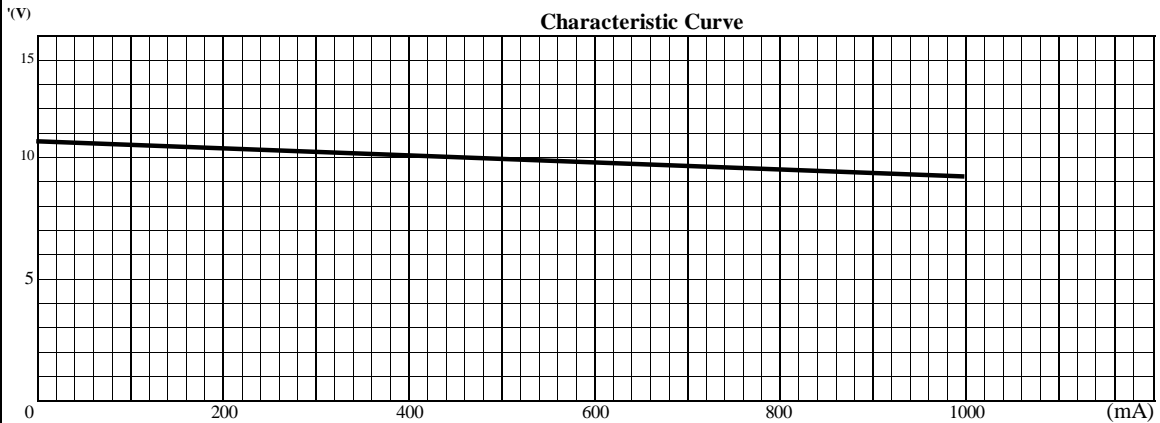


Model No.:KA12A090100044U  
 ID No.: KA006314  
 Size:EI-41

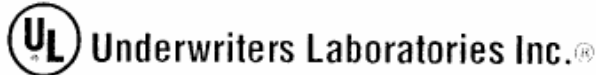
Rev:A0  
 Issue Date:OCT-17-06  
 Sheet No.: 10 OF 11

**14. Testing Report:**

ITEM	SPEC	SAMPLE									
		1	2	3	4	5	6	7	8	9	10
Primary Exciting Current Input 120VAC , 60 Hz	85 mA max	70	69	70	70	70					
Primary Load Current Input 120VAC , 60 Hz	160 mA max	1.4	1.1	1.09	1.07	1.09					
Secondary No Load AC Voltage	10.9V ±5%	10.83	10.87	10.89	10.9	10.34					
Secondary AC Voltage Load 1000 mA	9V ±5%	9.06	9.07	9.04	9.09	9.04					
Secondary Voltage Load mA	V ± %										
Secondary Voltage Load mA	V ± %										
Secondary Voltage Load mA	V ± %										
Secondary Voltage Load mA	V ± %										
Ripple Voltage Load mA (PK-PK)	V max										
Hi-Pot Test 5 mA for 2Sec.	Pri. to Sec.	2K VAC	OK	OK	OK						
	Pri. to Core	2K VAC	OK	OK	OK						
	Sec. to Core	1.5K VAC	OK	OK	OK						







333 Pfingsten Road  
Northbrook, Illinois 60062-2091  
United States Country Code (1)  
(847) 272-8800  
FAX No. (847) 272-8129  
<http://www.ul.com>

File E216698

Vol 1

Issued 06/25/2001

FOLLOW-UP SERVICE PROCEDURE  
(TYPE R)

DIRECT PLUG-IN AND CORD-CONNECTED CLASS 2  
POWER UNITS  
(EPBU)

Manufacturer: . KUANTECH CO LTD  
(145029-001) 2ND INDUSTRIAL ZONE  
GONGMING TOWN  
BAO'AN DISTRICT  
SHENZHEN GUANGDONG CHINA

Applicant: KUANTECH CO LTD  
(137948-001) ROOM 8015-8016  
METRO CENTRE, PHASE II  
21 LAM HING ST  
KOWLOON BAY HONG KONG

Listee: SAME AS APPLICANT  
(137948-001)

This Procedure authorizes the above Manufacturer to use the marking specified by Underwriters Laboratories Inc. only on products covered by this Procedure, in accordance with the applicable Follow-Up Service Agreement.

The prescribed Mark or Marking shall be used only at the above manufacturing location on such products which comply with this Procedure and any other applicable requirements.

The Procedure contains information for the use of the above named Manufacturer and representatives of Underwriters Laboratories Inc. and is not to be used for any other purpose. It is lent to the Manufacturer with the understanding that it is not to be copied, either wholly or in part, and that it will be returned to Underwriters Laboratories Inc. upon request.

This PROCEDURE, and any subsequent revisions, is the property of UNDERWRITERS LABORATORIES INC. and is not transferable.

UNDERWRITERS LABORATORIES INC.

  
J. J. Ritchie  
Vice President  
Laboratory Management and Operations

N

A not-for-profit organization  
dedicated to public safety and  
committed to quality service



---

**EPBU.E216698****Direct Plug-in and Cord-connected Class 2 Power Units**[Page Bottom](#)[Print-friendly version](#)[Questions?](#)[Previous Page](#)

---

**Direct Plug-in and Cord-connected Class 2 Power Units**

[See General Information for Direct Plug-in and Cord-connected Class 2 Power Units](#)

**KUANTECH CO LTD**

E216698

8TH FL, ROOM 816

METRO CENTRE, PHASE II

21 LAM HING ST

KOWLOON BAY, HONG KONG

**Class 2 Direct plug-in power supplies**, Models 63-1519, KA12A-22U, -23U, -24U, -33U, -34U, -35U Series, KA12D-22U, -23U, -24U, -33U, -34U, -35U Series, KA12A-15U, -16U, -18U, -44U, -45U, -46U Series, KA12D-15U, -16U, -18U, -44U, -45U, -46U Series; KA12A-68D Series, KA12D-68D Series, KA12A-58D Series, KA12D-58D Series, KA12D120030042U, KA12A240060015U.

[Last Updated](#) on 2004-08-13

---

[Page Top](#)[Notice of Disclaimer](#)[Questions?](#)[Previous Page](#)[UL Listed and Classified Products](#)[UL Recognized Components](#)[Products Certified for Canada](#)

This page and all contents are Copyright © 2005 by Underwriters Laboratories Inc.®

The appearance of a company's name or product in this database does not in itself assure that products so identified have been manufactured under UL's Follow-Up Service. Only those products bearing the UL Mark should be considered to be Listed and covered under UL's Follow-Up Service. Always look for the Mark on the product.

UL permits the reproduction of the material contained in the Online Certification Directory subject to the following conditions: 1. The Guide Information, Designs and/or Listings (files) must be presented in their entirety and in a non-misleading manner, without any manipulation of the data (or drawings). 2. The statement "Reprinted from the Online Certifications Directory with permission from Underwriters Laboratories Inc." must appear adjacent to the extracted material. In addition, the reprinted material must include a copyright notice in the following format: "Copyright © 2005 Underwriters Laboratories Inc.®"



---

**EPBU7.E216698**  
**Direct Plug-in and Cord-connected Class 2 Power Units**  
**Certified for Canada**

[Page Bottom](#)

[Print-friendly version](#)

[Questions?](#)

[Previous Page](#)

---

**Direct Plug-in and Cord-connected Class 2 Power Units**  
**Certified for Canada**

[See General Information for Direct Plug-in and Cord-connected Class 2 Power Units Certified for Canada](#)

**KUANTECH CO LTD**  
8TH FL., ROOM 816  
METRO CENTRE, PHASE II  
21 LAM HING ST  
KOWLOON BAY, HONG KONG

E216698

**Class 2 direct plug-in power supplies**, Models KA12A-15U, -16U, -18U, -44U, -45U, -46U Series, KA12DXXX-15U, -16U, -18U, -44U, -45U, -46U Series, where XXX can be any number from 024 to 290; KA12A-22U, -23U, -24U, -33U, -34U, -35U Series, KA12DVVV-22U, -23U, -33U Series; where VVV can be any number from 012 to 250; KA12DWWW-24U Series, where WWW can be any number from 012 to 230; KA12DYYY-34U Series, where YYY can be any number from 024 to 260; KA12DZZZ-35U Series, where ZZZ can be any number from 024 to 220; Models 63-1519, KA12A-68D Series, KA12D-68D Series, KA12A-58D Series, KA12D-58D Series, KA12D120030042U, KA12A240060015U.

[Last Updated](#) on 2004-08-13

---

[Page Top](#)

[Notice of Disclaimer](#)

[Questions?](#)

[Previous Page](#)

[UL Listed and Classified Products](#)

[UL Recognized Components](#)

[Products Certified for Canada](#)

This page and all contents are Copyright © 2005 by Underwriters Laboratories Inc.®

The appearance of a company's name or product in this database does not in itself assure that products so identified have been manufactured under UL's Follow-Up Service. Only those products bearing the UL Mark should be considered to be Listed and covered under UL's Follow-Up Service. Always look for the Mark on the product.

UL permits the reproduction of the material contained in the Online Certification Directory subject to the following conditions: 1. The Guide Information, Designs and/or Listings (files) must be presented in their entirety and in a non-misleading manner, without any manipulation of the data (or drawings). 2. The statement "Reprinted from the Online Certifications Directory with permission from Underwriters Laboratories Inc." must appear adjacent to the extracted material. In addition, the reprinted material must include a copyright notice in the following format: "Copyright © 2005