

KING RIGHT MOTOR CO., LTD.

DC MOTOR TESTED TECHNICAL DATA

DATE:88.11.01

MACHINE TYPE:20Kg-M

PROJECT:TLCM7152\12V

OUTPUT:

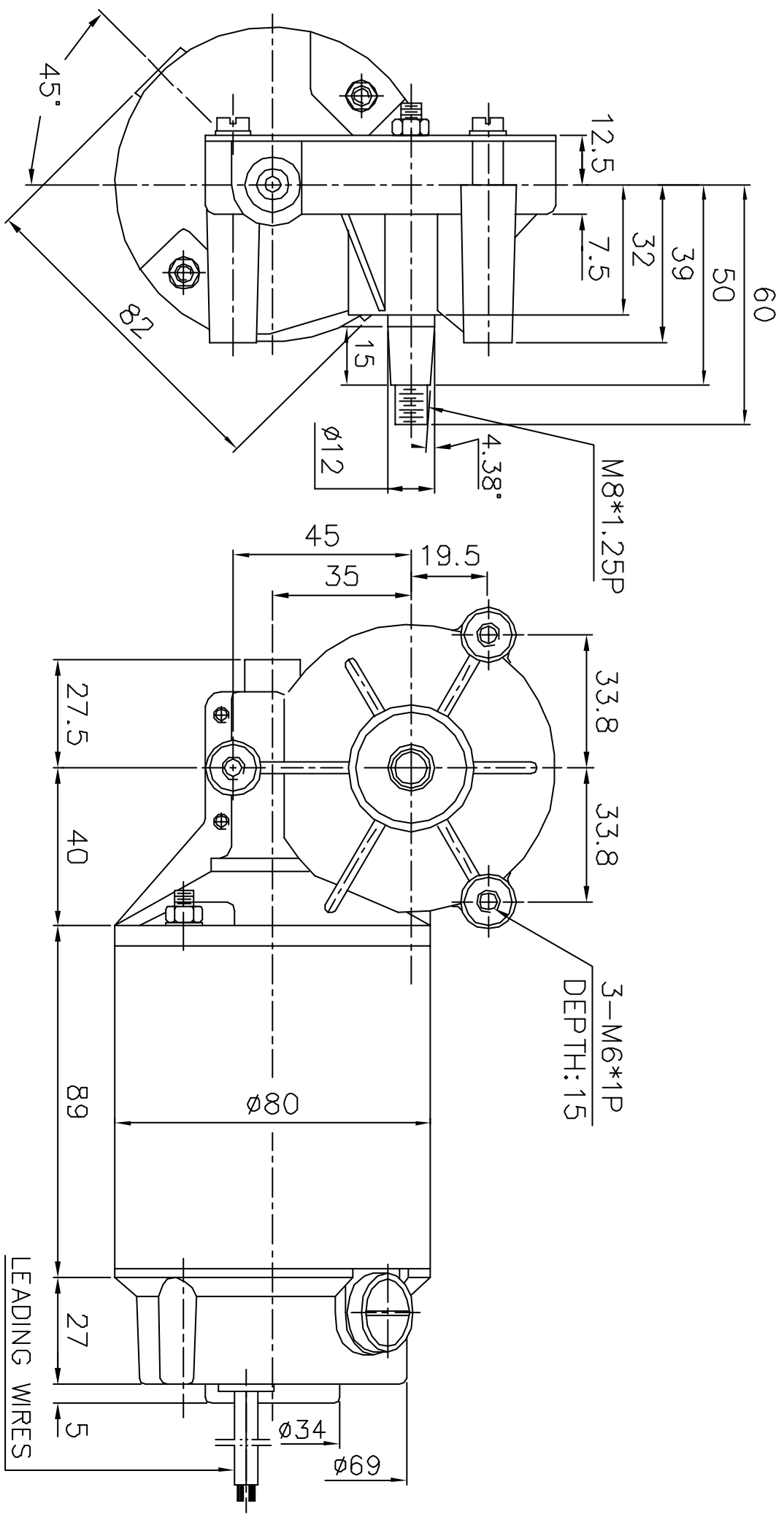
GEAR-RATIO:50:1

NO-LOAD-SPEED:38 RPM

VOLTAGE:12V

CURRENT:

NO	R.P.M.	VOLT(V)	I (AMP)	INPUT (W)	TORQUE (KG-CM)	OUTPUT (W)	EFF (%)
1	38.1	12.10	1.56	18.91	10.00	3.90	20.62
2	38.1	12.10	1.74	21.07	15.00	5.90	28.00
3	37.1	12.13	2.12	25.66	22.00	8.40	32.74
4	37.2	12.12	2.43	29.49	25.00	9.50	32.21
5	37.0	12.10	2.56	31.02	32.00	12.10	39.01
6	36.4	12.10	2.96	35.84	37.00	13.80	38.50
7	36.3	12.10	3.43	41.45	50.00	18.60	44.87
8	35.6	12.11	4.09	49.57	60.00	21.90	44.18
9	34.4	12.10	4.76	57.60	75.00	26.50	46.01
10	33.6	12.10	5.53	66.96	92.00	31.70	47.34
11	32.5	12.10	6.46	78.18	113.00	37.70	48.22
12	31.8	12.10	7.55	91.38	134.00	43.70	47.82
13	30.6	12.10	8.64	104.57	154.00	48.30	46.19
14	29.0	12.10	9.68	117.18	175.00	52.10	44.46
15	28.0	12.07	11.07	133.59	201.00	57.70	43.19
16	26.4	12.07	12.30	148.52	224.00	60.70	40.87



GEAR RATIO : 1/50

* Plastic or Brass Metal Gear *