
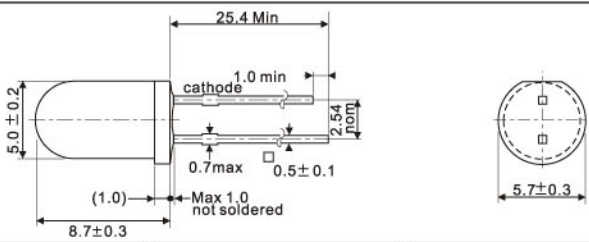

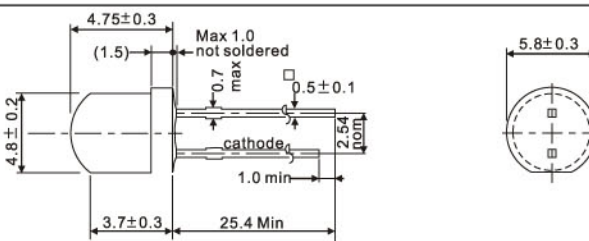



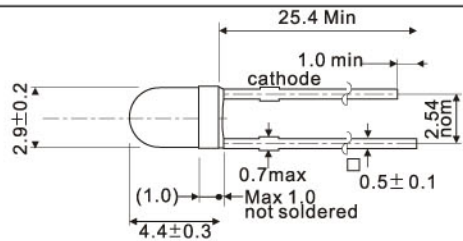
Infrared Emitters


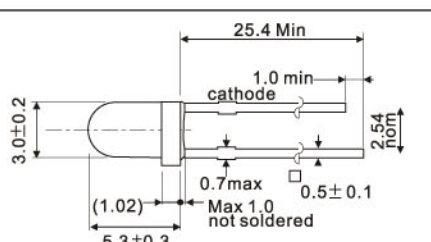
Ta=25°C

Device No	Wavelength	Lens Color	Forward Voltage		Radiant Output Power (mw/sr)			View Angle 2θ1/2
	λp(nm)		Typ(V)	IF(mA)	Minimum	Typical	IF(mA)	

φ 5									
	HIRB5-43C-A	940	water clear	1.28	50	35.0	70.0	50	15
	HIRB5-23C-B	940	colored clear	1.28	50	25.0	60.0	50	20
	HIRB5-43C-B	940	water clear	1.28	50	25.0	60.0	50	20
	HIRB5-23C-C	940	colored clear	1.28	50	25.0	40.0	50	40
	HIRB5-43C-C	940	water clear	1.28	50	25.0	40.0	50	40
	HIRB5-43C-D	940	water clear	1.28	50	15.0	30.0	50	50
	HIRB5-43D-A	940	water clear	1.25	50	45.0	80.0	50	15
	HIRB5-43D-B	940	water clear	1.25	50	40.0	70.0	50	20
	HIRB5-43D-C	940	water clear	1.25	50	30.0	50.0	50	40
	HIRB5-43D-D	940	water clear	1.25	50	20.0	35.0	50	50
	HIRB5-43E-A	880	water clear	1.47	50	35.0	65.0	50	15
	HIRB5-43E-B	880	water clear	1.47	50	25.0	50.0	50	20
	HIRB5-43E-C	880	water clear	1.47	50	20.0	35.0	50	40
	HIRB5-43E-D	880	water clear	1.47	50	12.5	25.0	50	50
	HIRB5-43G-A	850	water clear	1.50	50	65.0	140.0	50	12
	HIRB5-43G-B	850	water clear	1.50	50	60.0	100.0	50	18
	HIRB5-43G-C	850	water clear	1.50	50	50.0	80.0	50	35
	HIRB5-43G-D	850	water clear	1.50	50	25.0	55.0	50	50
HIRB5-43H-C	875	water clear	1.55	50	70.0	130.0	50	35	
HIRB5-43H-D	875	water clear	1.55	50	50.0	80.0	50	50	

φ 5									
	HIRB5G-43D	940	water clear	1.25	50	12.0	20.0	50	60
	HIRB5G-43G	850	water clear	1.50	50	15.0	25.0	50	70

φ 3.0									
	HIRB3J-44C	940	water clear	1.21	20	3.0	6.5	20	50
	HIRB3J-44D	940	water clear	1.25	50	9.0	18.0	50	55
	HIRB3J-44E	880	water clear	1.47	50	7.0	15.0	50	55
	HIRB3J-44G	850	water clear	1.50	50	10.0	25.0	50	55

φ 3.0									
	HIRB3b-44C	940	water clear	1.28	50	15.0	30.0	50	30
	HIRB3b-44D	940	water clear	1.25	50	15.0	28.0	50	30
	HIRB3b-44E	880	water clear	1.47	50	13.0	22.0	50	30
	HIRB3b-44G	850	water clear	1.50	50	20.0	40.0	50	30