



China Machinery & Equipment Imp. & Exp. Suzhou Co., Ltd

ADD: No. 659 Jin Men Road, Suzhou, China
Tel: 0086-512-65328606

Post Code: 215004
Fax: 0086-512-65561808

Website: <http://www.cmecsz.com>
E-mail: jeromeshen@vip.163.com

AC Synchronous Geared Motors

49TYD-1

Features:

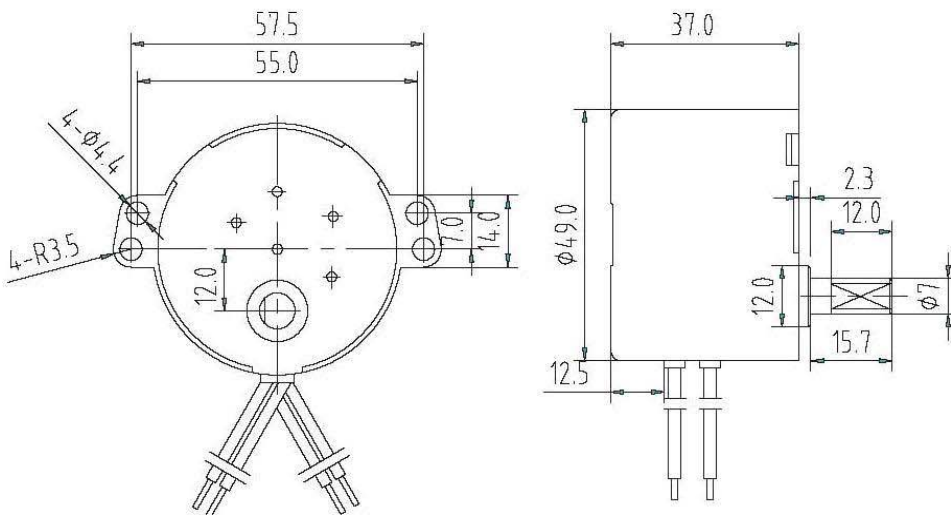
- Gear box inside designed
- High torque and efficiency with low noise, light weight
- Speed state invariable not effected by voltage under rated frequency
- Winding will not ruin when motor over loading or abrupt stop running

Applications:

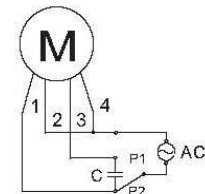
Electric equipment, HVAC System, CATV System



Drawing



Wire Connecting



Wire	24V	110V	220V
1	Red	Yellow	Black
2	Black	Red	Yellow
3	Yellow	Black	Red
4	Black	Red	Yellow

■ Above are basic wire colors, customization also welcome.

Specification

ITEM	DATA		
Rated Voltage (V)	24	110	220
Rated Frequency (Hz)	50/60		
Input Power (W)	2.5-7		
Input Current(A)	<0.2	<0.05	<0.023
Output Power (W)	1.2		
Noise (db)	<45		
Rotate direction	CW / CCW / Bi-directional		

Safety

ITEM	DATA
Insulation resistance	DC500V 100M Ohms
Insulation Str.	AC1500V 50Hz/min(220V motor)
Insulation class	E(105°C)/B(130°C)
Environment	Temp: -10°C ~ +40°C/Humidity: <85
Protection	Impedance
Certification	

Speed & Torque

Speed (RPM)	Working style	1.04	1.5	2	2.5	4	4.8	5	5.8	9	15	25	30	45	60	75
Torque (kgf.cm / lb-in)	S1 continuous	45/39	30/26	22/19	18/15.7	11/9.6	9.4/8.2	9/7.8	7.6/6.6	5/4.35	3/2.6	1.8/1.57	1.5/1.3	1/0.87	0.75	0.6
	S2 15 minutes	60/52.2	40/34.8	30/26	24/20.9	15/13	12.5/10.9	12/10.4	10/8.7	6.5/5.7	4/3.5	2.4/2.1	2/1.74	1.3/1.13	1/0.87	0.8/0.7
	S2 5 minutes	70/60.9	46/40	35/30.5	28/24.4	17.5/15.2	14.5/12.6	14/12.2	12/10.4	7.8/6.8	4.6/4	2.8/2.43	2.3/2	1.5/1.3	1.2/1.04	1.0/0.87

© Above datas are for motors under 50Hz. If under 60Hz SpeedX1.2, Torque /1.2

© Other speed and torque needed please contact our sales department