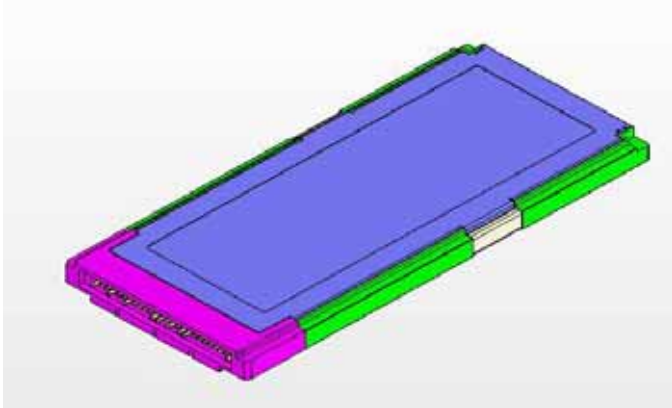


Express Card to 4 in 1 adaptor (Frame Kits)



COXOC Part Number : 465DF26FCT02003



■ Features

1. Available for MS/SD/MMC/XD memory cards in one slot.
2. Special Latch-design to strengthen body.
3. RoHS/Sony GP

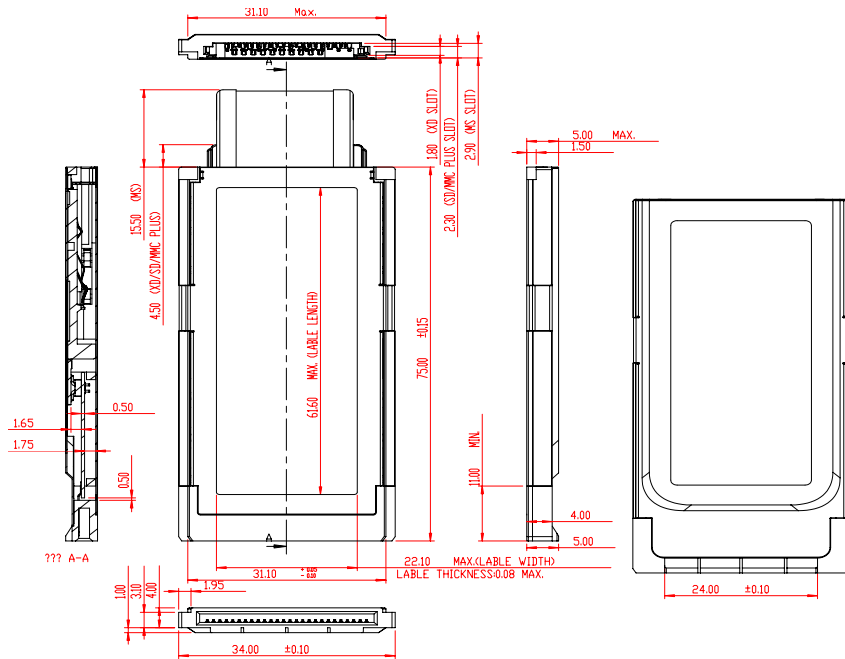
■ Specifications

1. Rating : 0.5 Amps max
2. Contact Resistance : 100 initial
3. Insulation Resistance : 1000 min@500 VDC
4. Operation temperature : -20 TO +85
5. Mating Cycles : 10000 Cycles

■ Applications

Notebook PC、PMP

■ Dimensions



CHANT SINCERE CO.,LTD.

HEAD OFFICE : 7F-2, NO.188, Sec.3, Ta Tung Road, His Chih City, Taipei Hsien, Taiwan, R.O.C

TEL : (02) 8647-1251 FAX : (02) 8647-1842

URL : <http://www.coxoc.com.tw> E-mail : service@coxoc.com.tw