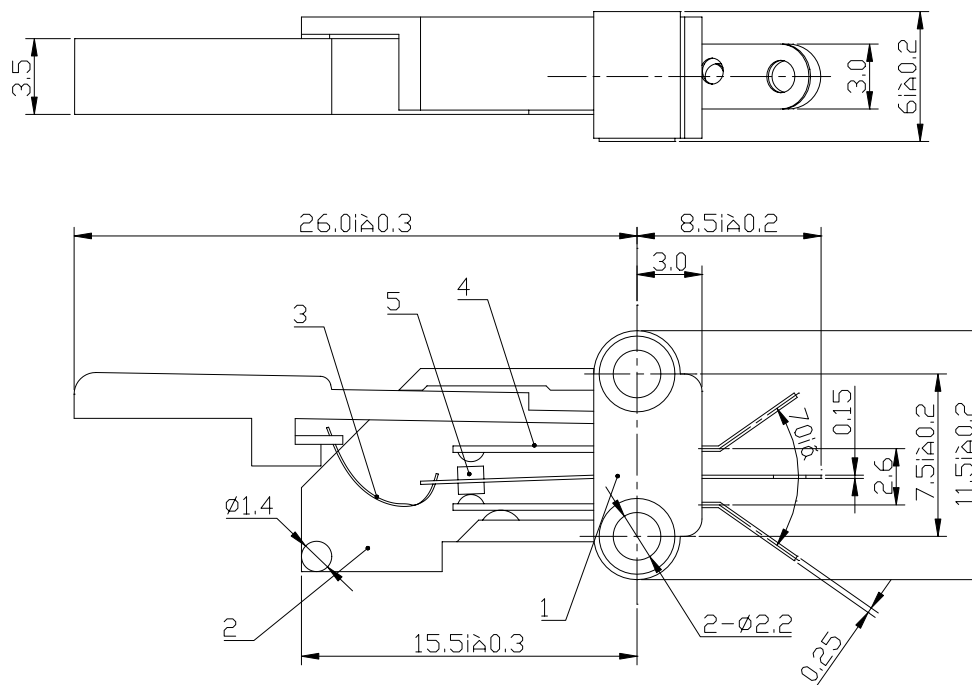


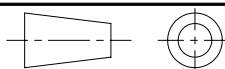
SCHEMATIC



KWAN DA INDUSTRIAL CO., LTD.

TITLE : LEAF SWITCH

MODEL : LF-626 (W162)



TOLBRANCE
 ≤ 5mm 0.1
 > 5mm 0.2

ANGLE TOL
 氮2

UNIT : MM	DWN.	DATE
SCALE : 3 : 1	CHK'D	DATE
VERSION 01	APPD.	DATE

NO.	PART NAME	MATERIAL	QTY	FINISHING
5	CONTACT	COPPER	1	Ag PLATED
4	SPRING	BRASS STRIP	2	Ag PLATED
3	SPRING	PBS	2	NATURE
2	COVER	POM	1	BLACK
1	KNOB	POM	1	BLACK