



FEATURES

- Two way design, reverse path for option.
- Adjustable attenuator/equalizer.
- Three platforms for option: 550MHz, 750MHz, 862MHz.
- RF level test port for RF input and output.
- Single Philip Module.

NOTE: The following plug-in parts must be ordered separately,

Adjustable Equalizer KJC550-C: 550MHz, 0~28dB.

Adjustable Equalizer KJC750-C: 750MHz, 0~28dB.

Adjustable Equalizer KJC862-C: 862MHz, 0~28dB.

Adjustable Attenuator KSJ-A: 20dB continually adjustable.

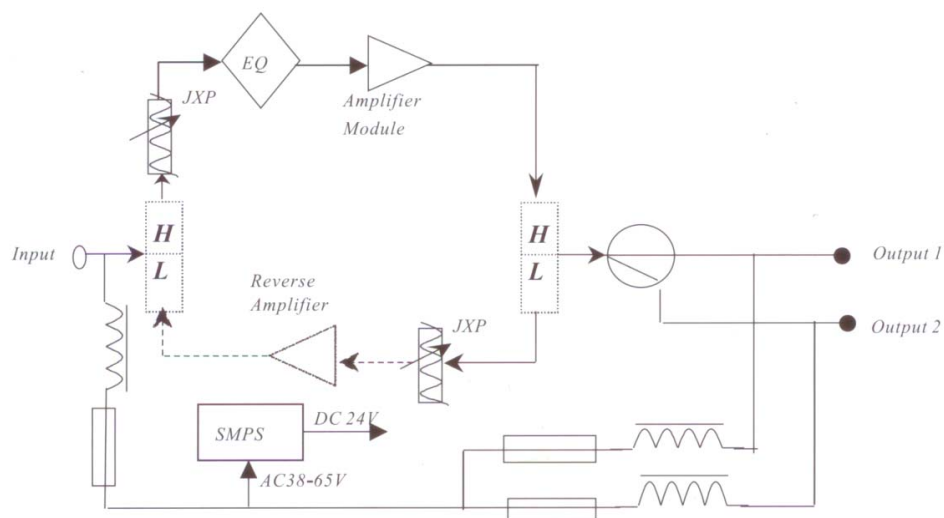
Two-way Filter: LS-A 65/87 MHz

LS-B 30/47 MHz

Reverse Amplifier Module: FF22-1

* Please specify the frequency range, power supply when order.

BLOCK DIAGRAM



SPECIFICATION SHEET	UNIT	SPECIFICATIONS		REMARKS
		FORWARD	REVERSE	
Frequency Range	MHz	47~550/750/862	5~30/42/65	
Forward Module	--	Philip Modue 1PC	--	
Input Level	dB	72	--	
Normal Gain (Main Output)	dB	33	--	Main-Branch output
Flatness	dB	±0.75	--	59/77/100-CH TV signals input @ 72dB
Noise Figure	dB	≤8	--	
C/CTB	dB	≥62	--	
C/CSO	dB	≥61	--	
Reflection Loss	dB	≥12	--	
Switch Power Supply	V	AC 38~65V or AC 220V/110V		
Anti-Strike Voltage	KV	5 (10/700μs)		