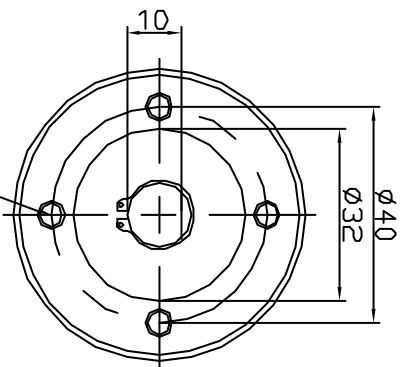


4-M5*0.8P DEPTH 9.4MM



	L	RATIO
1 STAGE	51	4, 5, 8, 9
2 STAGE	66	20, 28, 39, 50
3 STAGE	81	91, 127, 162, 225, 244, 276, 313