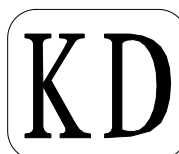
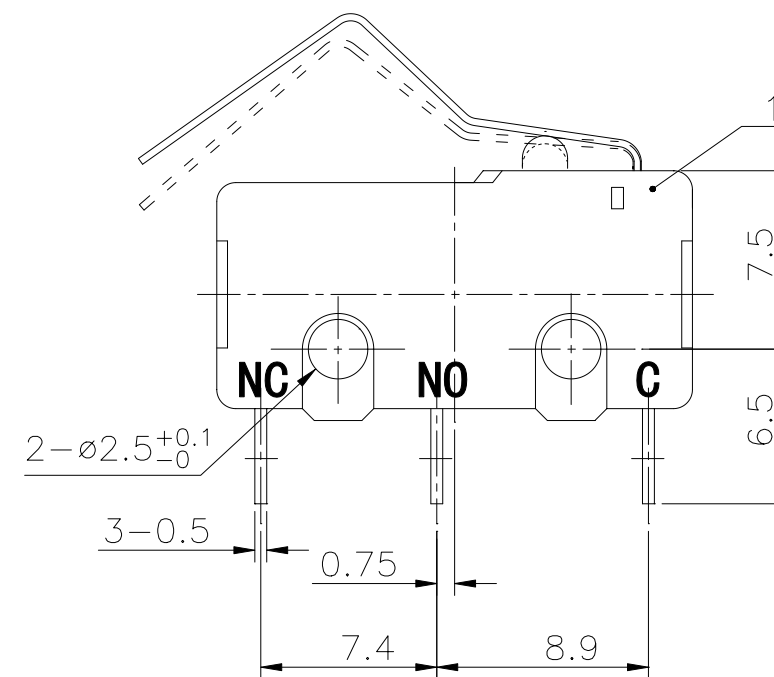
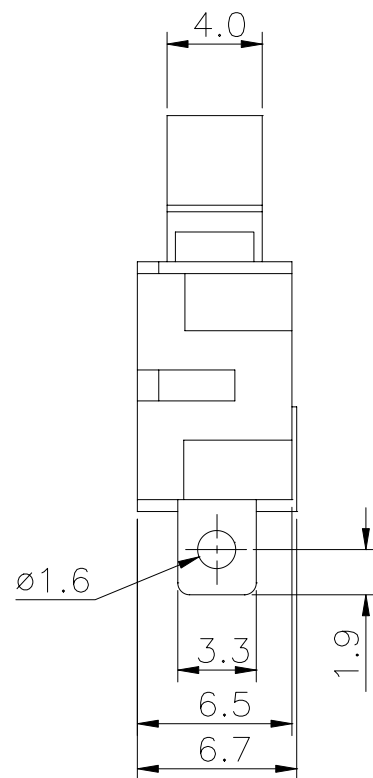
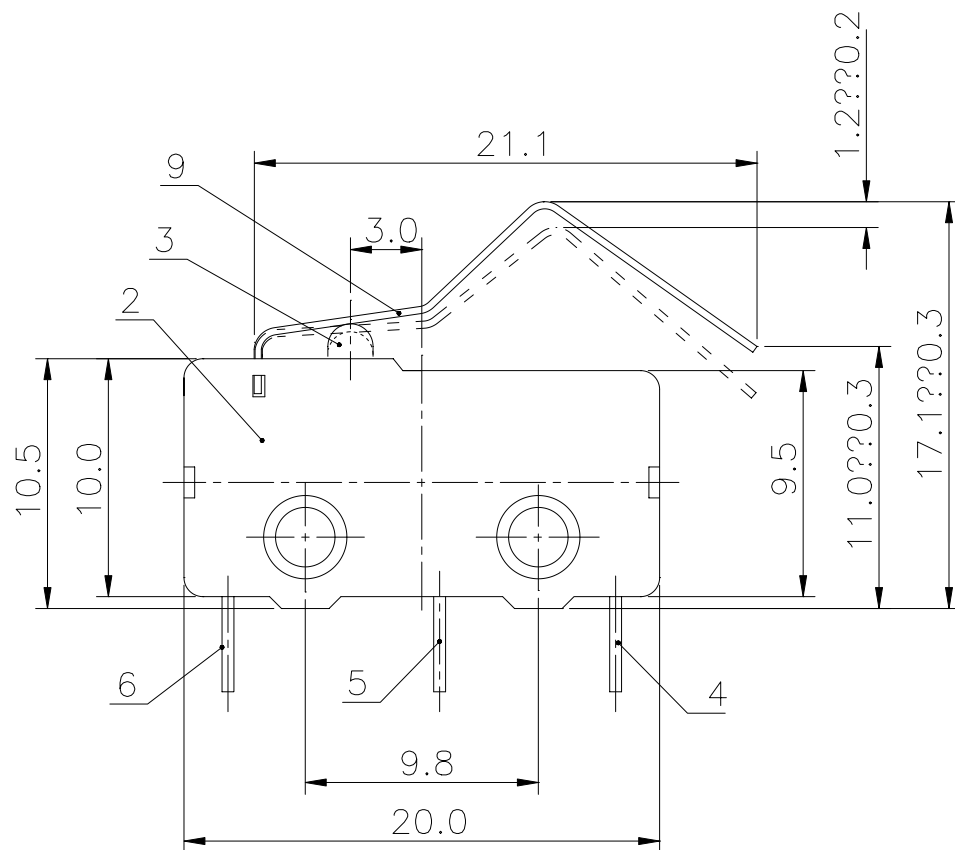


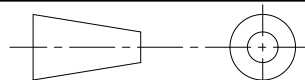
SCHEMATIC



# KWAN DA INDUSTRIAL CO., LTD.

TITLE : MICRO SWITCH

MODEL : MX-103



TOLERANCE  
d 5mm 0.1  
> 5mm 0.2

ANGLE TOL  
氨2

UNIT : MM	DWN.	DATE
SCALE : 2.5 : 1	CHK'D	DATE
VERSION 01	APPD.	DATE

10	CONTACT POINT	AgNi	1	NATURE
9	STEEL KNOB	SUS	1	NATURE
8	SPRING PLATE	PBS STRIP	1	Ag PLATED
7	SPRING	PBS STRIP	1	NATURE
6	TERMINAL	BRASS STRIP	1	Ag PLATED
5	TERMINAL	BRASS STRIP	1	Ag PLATED
4	TERMINAL	BRASS STRIP	1	Ag PLATED
3	BAR	ABS	1	BLACK
2	COVER	NYLON	1	BLACK
1	CASE	NYLON	1	BLACK
NO.	PART NAME	MATERIAL	QTY.	FINISHING