

Z-6000 series Pipeline Flowmeter (Mount in any position)



The main frame of the flow meter of this type is made of engineering plastics of high strength (PC Polycarbonate or PSU polysulfone), which is breaking-proof and corrosion-proof, and can be mounted in any position. It is capable of bearing high pressure, easy to read (the reading is red), and equipped with indicating device showing the upper and lower limit of the flowx.

- Temperature Limit: PC: 0~60 °C PSU: 0~100°C
- Accuracy: ± 6%
- Z-60,Z-65 series alarm switch is optional

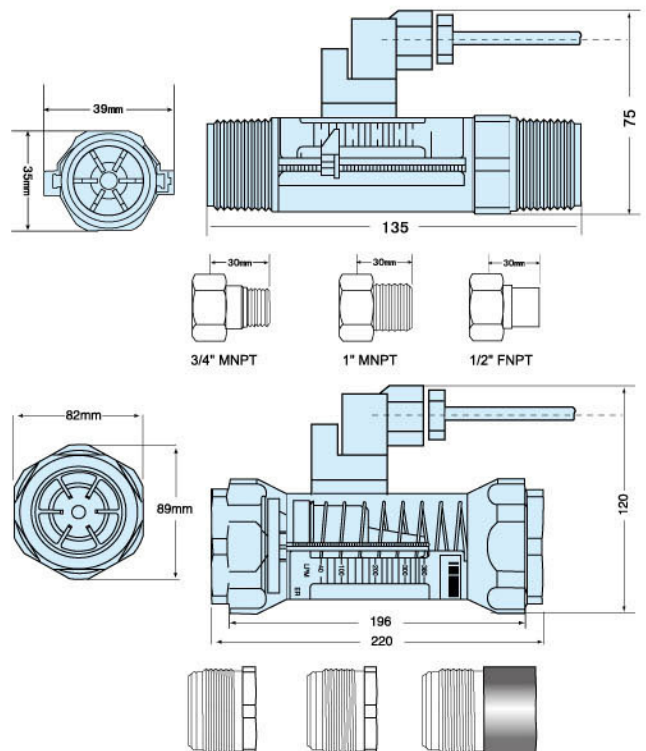
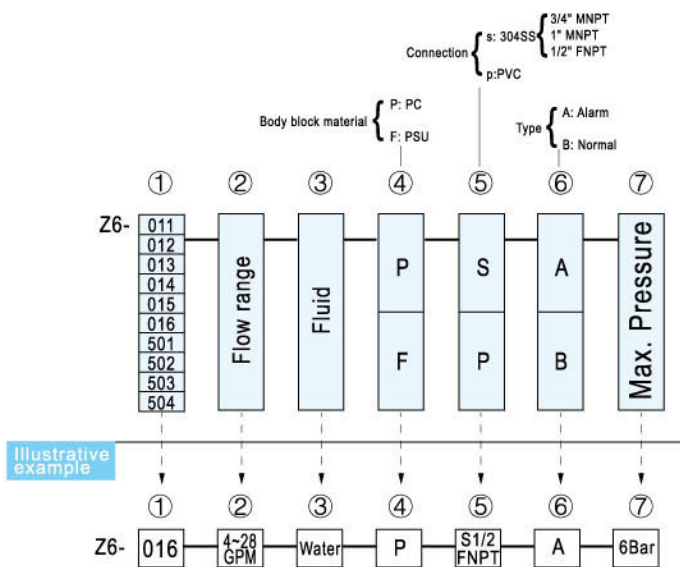
Z-60

Model	Measure Range				Thread	Weight (kg)
	Water		Air			
	GPM	LPM	GPM	LPM		
Z-6011	0.5~5	2~20	18~180	60~600	1/2" FNPT or 3/4" MNPT	0.4
Z-6012	1~7	4~26	20~200	70~700		
Z-6013	1~10	4~35	25~250	100~1000		
Z-6014	1~16	5~60	35~350	150~1400	3/4" FNPT or 1" MNPT	0.5
Z-6015	3~18	10~65	52~520	200~2000		
Z-6016	4~28	20~100	80~800	300~3000		

Z-65

Model	Measure Range		Thread
	Water		
	GPM	LPM	
Z-6501	3~25	12~90	1½" Female or 2" Female
Z-6502	5~50	20~200	
Z-6503	8~80	30~280	
Z-6504	10~100	40~380	

Ordering



* Refer to "Ordering" and "Illustrative example" when placing an order or requesting a quotation. Fill in the blanks in the "Order/Quotation Request Card" at the end of the catalog, and send the card by fax.