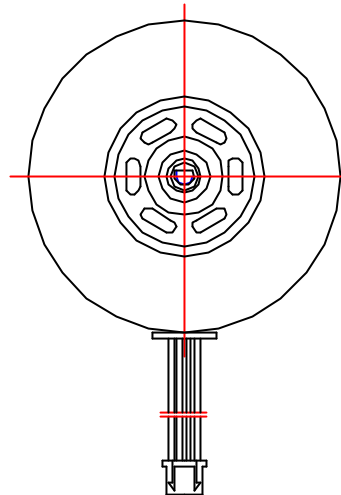
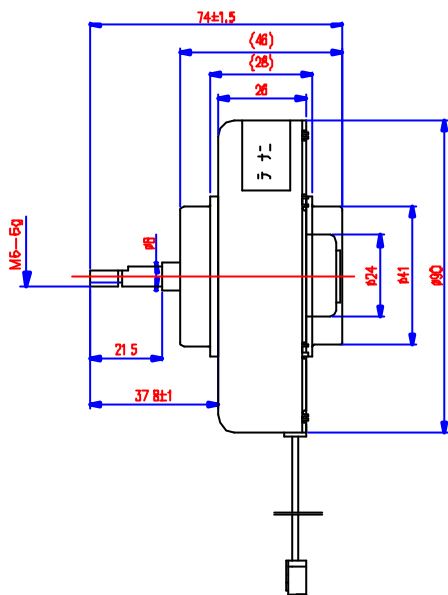
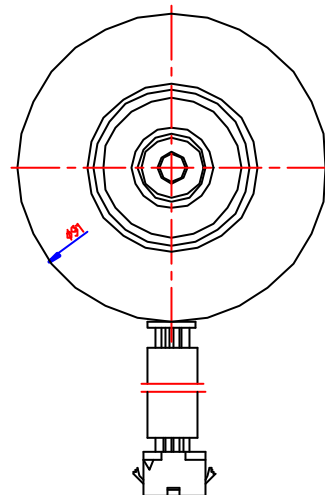
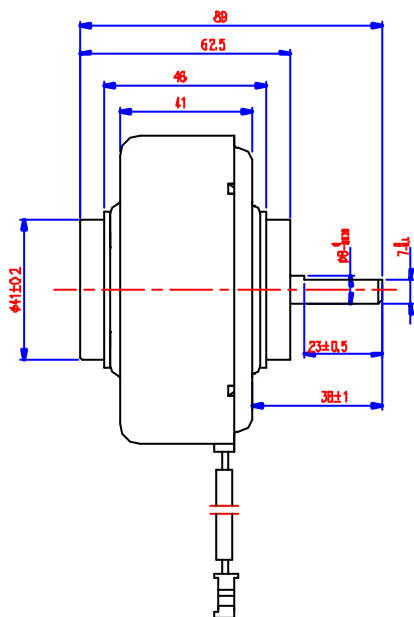


BOM-ZDWK-12



BOM-ZDWK-15



Motor Model	Speed at Max Efficiency (rpm)	Max-Operating Voltage (v)	Current at Max Efficiency (A)	Max Tourque (N.m)	Use
BOM-ZDWK-12	685	35	0.45	0.15	A/C motor
BOM-ZDWK-15	1450	24	0.9	0.2	A/C motor