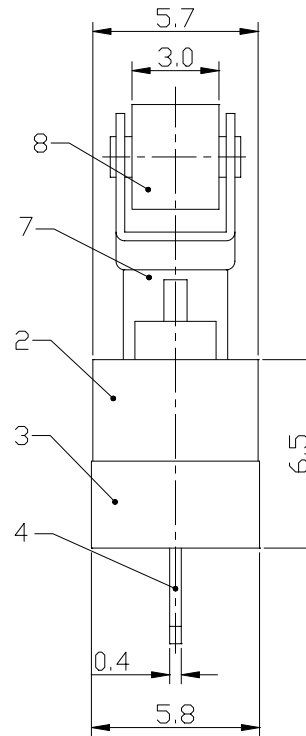
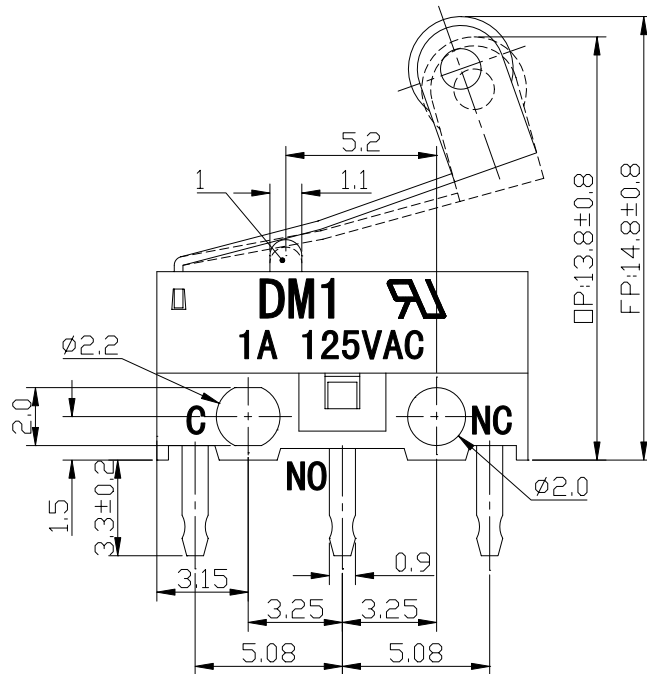


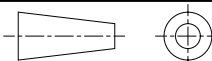
SCHEMATIC



KWAN DA INDUSTRIAL CO., LTD.

TITLE : MICRO SWITCH

MODEL : MX-112 1A 125V AC (W106)



TOLERANCE
 <= 1.5mm 0.1
 > 1.5mm 0.2

ANGLE TOL
 氮2

UNIT : MM	DWN.	DATE
SCALE : 4 : 1	CHK'D	DATE
VERSION 01	APPD.	DATE

8	SLEEVE	PBT	1	NATURE
7	STEEL KNOB	SUS	1	NATURE
6	CONTACT POINT	SILVER	1	NATURE
5	SPRING PLATE	PBS STRIP	1	NATURE
4	TERMINAL	BRASS STRIP	3	Ag PLATED
3	CASE	PBT	1	WHITE
2	COVER	PBT	1	BLACK
1	BAR	POM	1	WHITE
NO.	PART NAME	MATERIAL	QTY.	FINISHING