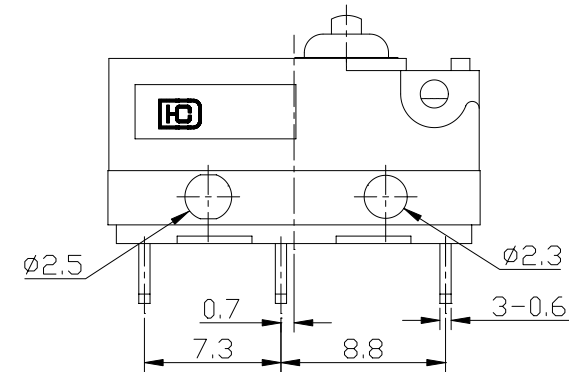
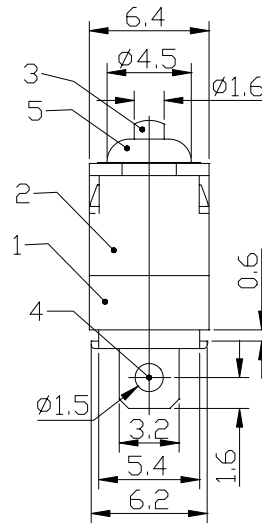
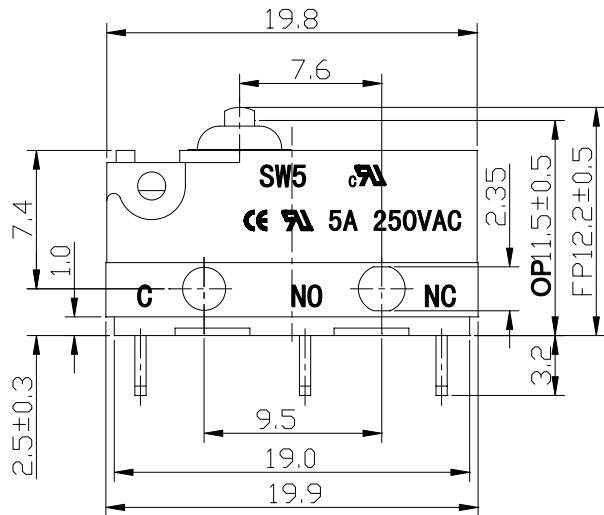


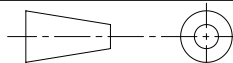
SCHMATIC



KWAN DA INDUSTRIAL CO., LTD.

TITLE : MICRO SWITCH

MODEL : MX-95 (W106)



UNIT : MM	DWN.	DATE
SCALE : 2.5 : 1	CHK'D	DATE
VERSION 01	APPD.	DATE

TOLERANCE	ANGLE TOL
<1.5mm ±0.1	±2°
>=1.5mm ±0.2	
>= 10mm ±0.3	

8	CONTACT POINT	SILVER ALLOY	3	NATURE
7	SPRING	STEEL WIRE	1	NATURE
6	SPRING PLATE	PBS STRIP	1	Ag PLATED
5	WATERPROOF JACKET	RUBBER	1	BLACK
4	TERMINAL	BRASS STRIP	3	Ag PLATED
3	BAR	PBT	1	BLACK
2	COVER	NYLON	1	BLACK
1	CASE	NYLON	1	BLACK
NO.	PART NAME	MATERIAL	QTY.	FINISHING