

调频用 JT10.7M 系列陶瓷鉴频器

JT10.7M Series of Ceramic Discriminator For FM

调频用 JTCV10.7M 系列片式陶瓷鉴频器

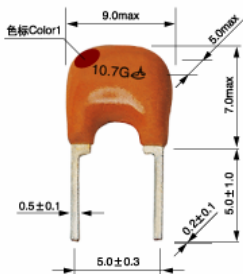
JTCV10.7M Series of Ceramic Discriminator For FM (Chip type)

10.7MHz

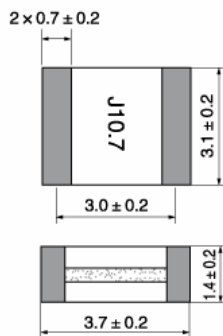
技术特性 TECHNICAL CHARACTERISTICS

型号 Part Number	f ₀ 点鉴频输出 Demodulation Output at f ₀ (mv)min	f ₀ 点失真度 Distortion Factor at f ₀ (%)max	3dB带宽 Demodulation 3dB Band Width (KHz)max	适用IC Applicable IC
JT10.7MG1 JTCV10.7MG1	25	1.0	345	CX-2009, CX-20111
JT10.7MG3 JTCV10.7MG3	650	1.0	±150	TA7303P, TA7130, μPC1028H, LA1150
JT10.7MG16 JTCV10.7MG16	60~90	0.9	300	TA8122AN
JT10.7MG18 JTCV10.7MG18	60~90	0.9	300	TA8132N
JT10.7MG33 JTCV10.7MG33	45	0.7	250	TA2007
JT10.7MG80 JTCV10.7MG80	65	1.0	300	TA2104AFN
JT10.7MG82 JTCV10.7MG82	90	0.8	320	TA2099N
JT10.7MG92 JTCV10.7MG92	60	1.0	300	TA2132P
JT10.7MC1 JTCV10.7MC1	35	1.0	242	CXA1019M, CX-20091

外形与尺寸 FIGURE AND DIMENSIONS



JT10.7MG□/C□



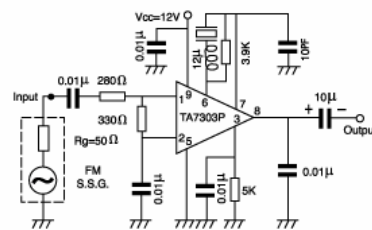
JTCV10.7MG□/C□

规格 STANDARD RULE

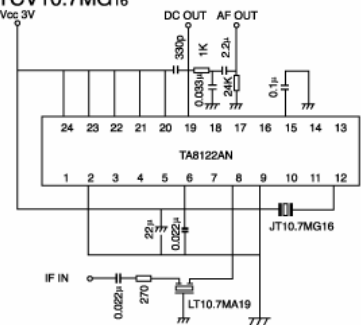
中心频率 Center Frequency	D 10.640MHz ±30KHz	B 10.670MHz ±30KHz	A 10.700MHz ±30KHz	C 10.730MHz ±30KHz	E 10.760MHz ±30KHz
色标 Color	黑 Black	蓝 Blue	红 Red	橙 Orange	白 White

测试电路 TEST CIRCUIT

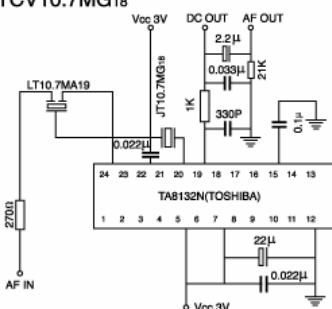
JT10.7MG₃
JTCV10.7MG₃



JT10.7MG₁₆
JTCV10.7MG₁₆



JT10.7MG₁₈
JTCV10.7MG₁₈



JT10.7MC₁
JTCV10.7MC₁

