



**LIAN-GIMN**  
ENTERPRISE CO., LTD.



[Company Profile](#)

[Our Products](#)

[Contact Us](#)

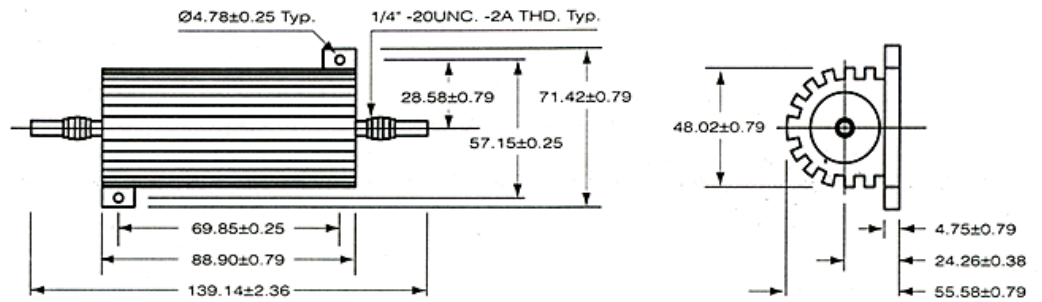
[Back Home](#)

Resistors  
RoHS Compliant

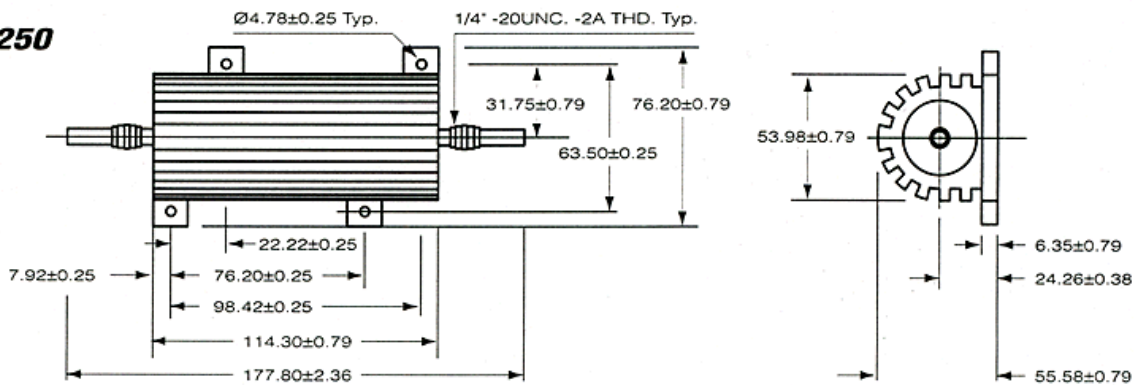
## Our Products

### Aluminum Housed Wirewound Resistors

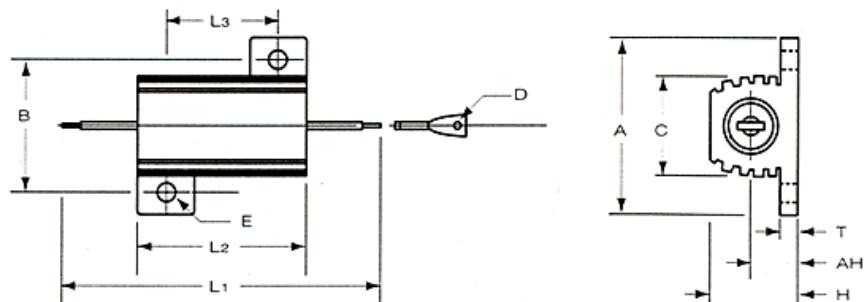
**DIMENSIONS**  
**AH-100 AHN-100**



**DIMENSIONS**  
**AH-250 AHN-250**



**DIMENSIONS**  
**AH-5 AHN-5**  
**AH-10 AHN-10**  
**AH-25 AHN-25**  
**AH-50 AHN-50**



TYPE	DIMENSION (mm)										
	L1	L2 ± 1	L3 ± 0.8	A ± 1	B ± 0.8	C ± 1	D ± 0.1	E ± 0.3	H ± 1	h ± 1	T ± 0.2
AH-5 / AHN-5	28.36	15.3	11.3	16.5	12.4	8.5	1.3	2.4	8.2	4	1.6
AH-10 / AHN-10	35	19	14.3	20.4	15.9	11	2.2	2.4	10	5	2
AH-25 / AHN-25	49	27	18.3	27.2	19.8	14	2.2	3.2	14	6.5	2
AH-50 / AHN-50	70	50	39.7	29.2	21.5	16	2.2	3.2	16	7	2

[NEXT](#)

HEAD OFFICE : 4F.No.163. SHING MING Rd. NEI-HU. TAIPEI TAIWAN. R.O.C.114  
TAIWAN PLANT : NO.7, LANE 393, FU DER 1 RD., HSI CHI, TAIPEI HSIEN, TAIWAN, R.O.C.  
TEL:+886/2/27936715(REP) FAX:+886/2/27936716  
(DONGGUAN LIEAN GIMN ELECTRONIC CO., LTD.)  
CHINA PLANT : NO. 71, ZHANG SHEN DA DAO CHUNG, ZHANG MOO TOU, DONG GUAN  
CITY,  
GUANGDONG PROVINCE, CHINA.  
TEL:+86/769/8779-1341,8779-1345 FAX:+86/769/8779-1297  
E-mail: [liean@ms11.hinet.net](mailto:liean@ms11.hinet.net)  
USA Representative:  
USA Office: 112 W. Camden Forest Drive,Cary NC 27511  
Phone/Fax 919-233-8277 Cell 919-274-7505  
Email: [jmanley@d-s-inc.com](mailto:jmanley@d-s-inc.com)  
India Representative : RADIUS INDUSTRIES  
S-57, F.I.E.E., OKHLA INDUSTRIAL AREA,  
PHASE-2, NEW DELHI-110020, INDIA.  
Phone : 91-11-26383057, 26386843 Fax : 91-11-26389666  
E-mail:[radiusinternational@vsnl.com](mailto:radiusinternational@vsnl.com)

Copyright LIEAN-GIMN ENTERPRISE CO., LTD. Taiwan Products, B2BChinaSources, B2BTaiwanSources