



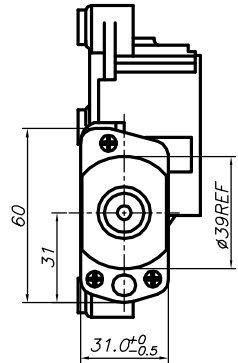
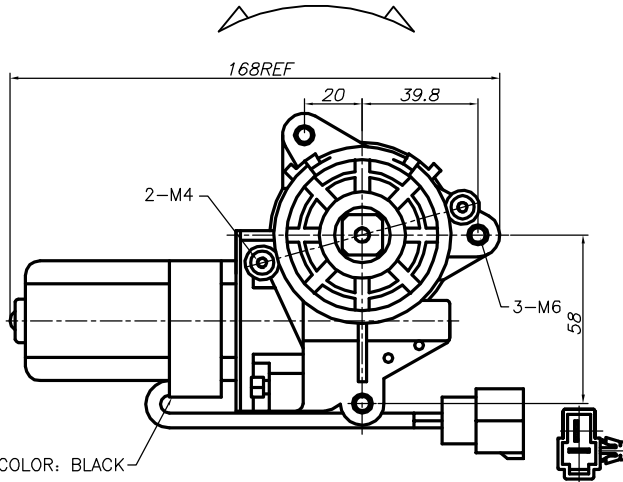
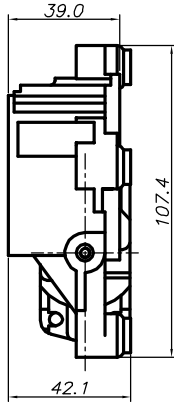
XGB-578VB

Power window-lift motors
 Typical Applications/Automotive Electronics
 • Power Window lifter

XGB-578VBL

DIRECTION OF ROTATION

UNIT: MILLIMETERS

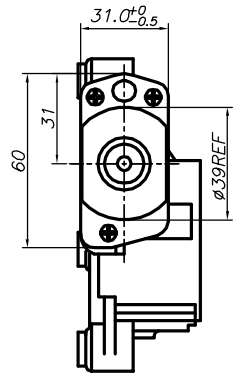
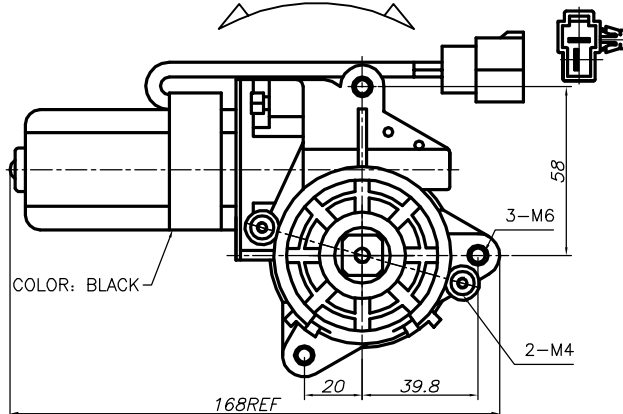
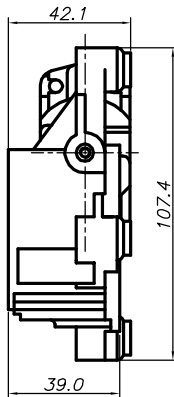


COLOR: BLACK
 WEIGHT:550g (APPROX)

XGB-578VBR

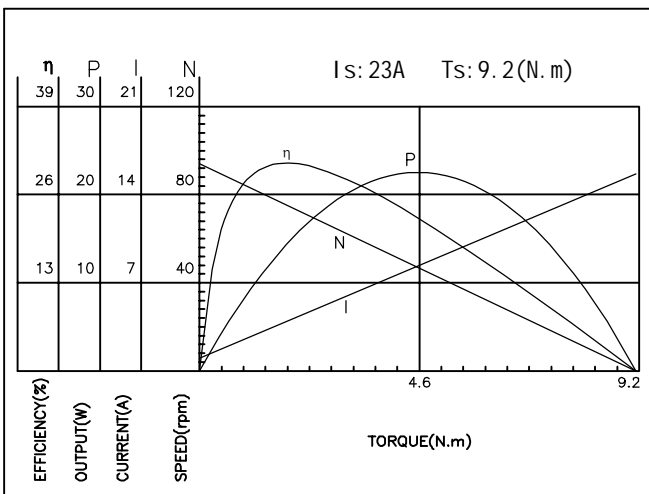
DIRECTION OF ROTATION

UNIT: MILLIMETERS



COLOR: BLACK
 WEIGHT:550g(APPROX)

XGB-578VB 12.0V



Distinctive Features

- Working temperature:-40~+80 °C ;
- This motor is designed with water proof construction;
- Lower noise;
- Torque:according to customer requirement;
- Motor with overload protection;
- Life:30000 cycle Min
- Shape and length of output shaft is designed to according to customer requirement.

DONG GUAN KWC MACHINERY CO. LTD.

Tel : (86)-769-87864483 Fax: (86)-769-87864473
 E-mail : kwc@global sources.com
 Website: www.global sources.com/kwc.co