

JET-S, JI

系列自吸射流泵
SERIES SELF-PRIMING JET PUMPS



WORKING CONDITIONS

Max Temperature of Fluid up to +40°C
Max Pressure 8bar,
Max Ambient Temperature up to 40°C

工作条件:

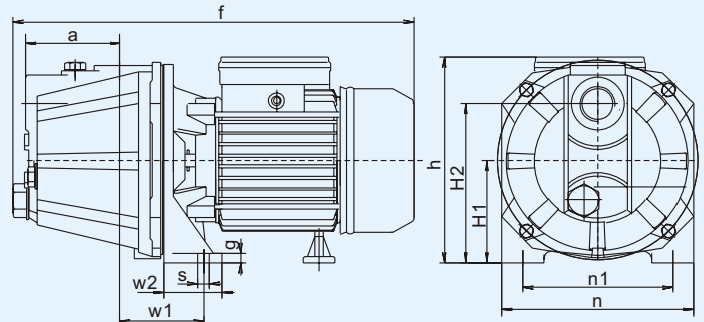
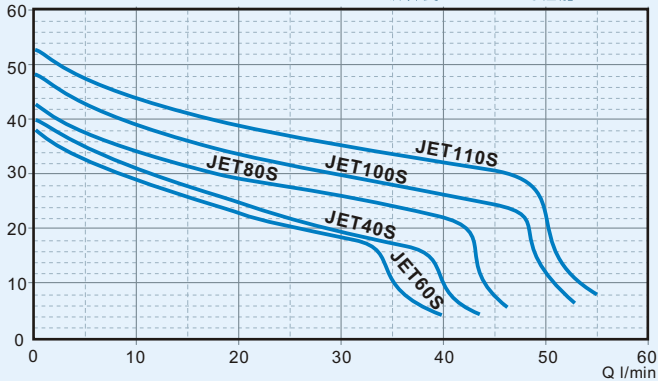
最高流体温度为40°C
最大可承受的压力8bar
最高环境温度40°C

JET-S/JI series are suitable for pumping clean water. They are particularly suitable for domestic applications such as supply water from well, pool etc, the automatic distribution of water by surge tanks and pressure switch, gardening, and increasing of water pressure.

JET-S/JI 系列电泵用于输送清水，其典型用途是家庭或农户或小企事业从井中或水池中提水，同时也适用于自来水增压、园艺用水或与其它部件一起组成自动供水系统。



H m PERFORMANCE CHART AT n=2900r/min 折算到2900r/min时性能



DIMENSIONS 安装尺寸

| TYPE 型号 | Dimensions 外形尺寸 mm | | | | | | | | | | Weight 重量 (kg) | | Packing Size 包装尺寸 (mm) | | | Packing QTY. 包装数量 | |
|-----------------|--------------------|-----|-----|----|-----|----|----|-----|-----|---|----------------|------|------------------------|-----|-----|-------------------|------------------|
| | a | f | h | H1 | H2 | W1 | W2 | n | n1 | g | s | NW | GW | L | W | H | 20' Cont 20'柜 |
| JET-40A | 94 | 366 | 178 | 90 | 130 | 89 | 60 | 142 | 96 | 7 | 8 | 8.7 | 9.5 | 410 | 210 | 220 | 1500 |
| JET-60S, JI60 | 90 | 380 | 196 | 98 | 152 | 79 | 55 | 182 | 142 | 9 | 11 | 11.8 | 12.6 | 420 | 210 | 220 | 1300 |
| JET-80S, JI80 | 90 | 380 | 196 | 98 | 152 | 79 | 55 | 182 | 142 | 9 | 11 | 12.5 | 13.5 | 420 | 210 | 220 | 1300 |
| JET-100S, JI100 | 90 | 380 | 196 | 98 | 152 | 79 | 55 | 182 | 142 | 9 | 11 | 13.1 | 14.1 | 420 | 210 | 220 | 1300 |
| JET-110S, JI110 | 90 | 380 | 196 | 98 | 152 | 79 | 55 | 182 | 142 | 9 | 11 | 13.8 | 14.8 | 420 | 210 | 220 | 1300 |

TECHNICAL DATA 技术参数

| TYPE 型号 | Input Power 输入功率 | | Current 电流 (A) | Capacitor 电容器 (F) | H.max 最高扬程 (m) | Q.max 最大流量 (l/min) | Size 进出口径 (inch) | S.Head 最大吸程 (M) | Total head 总扬程 (m) | Capacity 流量 l/min | | | | | |
|-----------------|------------------|------|----------------|-------------------|----------------|--------------------|------------------|-----------------|--------------------|-------------------|----|----|------|------|----|
| | KW | HP | | | | | | | | 5 | 10 | 20 | 30 | 40 | 50 |
| JET-40A | 0.50 | 0.65 | 2.1 | 12 | 40 | 46 | 1"X1" | 9 | | 35 | 31 | 24 | 19.5 | 10 | |
| JET-60S, JI60 | 0.55 | 0.75 | 2.4 | 12 | 40 | 37 | 1"X1" | 8 | | 35 | 29 | 23 | 18 | | |
| JET-80S, JI80 | 0.75 | 1 | 3.7 | 16 | 43 | 46 | 1"X1" | 8 | | 38 | 34 | 29 | 26 | 22 | |
| JET-100S, JI100 | 1 | 1.3 | 4.6 | 20 | 48 | 53 | 1"X1" | 8 | | 44 | 39 | 34 | 30 | 26.7 | 9 |
| JET-110S, JI110 | 1.1 | 1.5 | 4.9 | 20 | 53 | 52 | 1"X1" | 8 | | 47 | 44 | 39 | 36 | 33 | 20 |

标准的电参数及零件配置，单相220V/50Hz、NORYL叶轮、碳钢轴、马达内置热保护器。可根据客户的其它参数及材料的要求，制作其它单、三相电压、60Hz、双电压、不锈钢轴等规格的产品。
Standard data and equipment: single phase 220V/50Hz, NORYL impeller, carbon steel motor shaft, with terminal protector inside.
Others model and material such as three phase, 110V, 60Hz, dual voltage, stainless steel shaft, brass impeller, etc, will be available upon request.