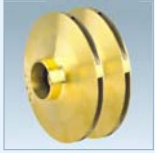


SCM2 系列双叶轮离心泵

SERIES TWO STAGES CENTRIFUGAL PUMPS



WORKING CONDITIONS

Max Temperature of Fluid up to +80°C
 Max Pressure 10bar,
 Max Ambient Temperature up to 40°C

工作条件：

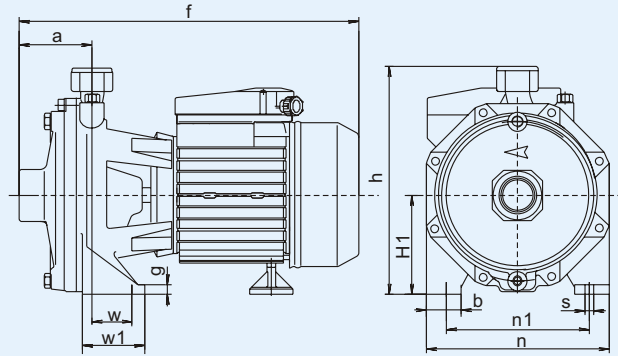
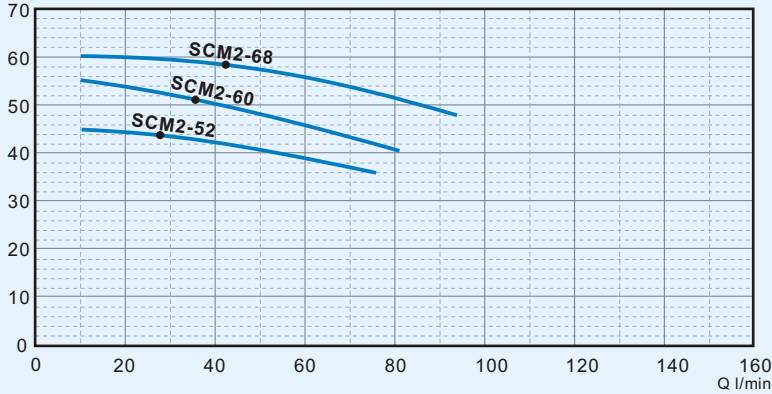
最高流体温度为80°C
 最大可承受的压力10bar
 最高环境温度40°C

The SCM2 series are with two impellers back to back, Because of two impeller to gain energy, it is an obvious choice that there is need for high head values but if hard to reach with single impeller centrifugal pumps. Suitable for civil and industrial uses to pump clean water and chemically non-aggressive liquid. Particularly be used for increasing the supply pressure, feeding boilers and loading extremely.

SCM2系列电泵有两个背靠背的叶轮，可以产生较高的扬程。应用于民用及工业用场合输送清水及不具腐蚀性的流体，特别适用于系统增压，低压锅炉给水等需要高扬程的场合。



H m PERFORMANCE CHART AT n=2900r/min 折算到2900r/min时性能



DIMENSIONS 安装尺寸

TYPE 型号	Dimensions 外形尺寸 mm											Weight 重量 (kg)		Packing Size 包装尺寸 (mm)			Packing QTY. 包装数量
	a	f	h	H1	w	w1	n	n1	b	g	s	NW	GW	L	W	H	20' Cont 20' 柜
SCM2-52	84	393	264	116	47	73	211	165	40	11	10	22.4	23.5	415	250	320	700
SCM2-60	84	393	264	116	47	73	211	165	40	11	10	24.5	25.5	415	250	320	700
SCM2-68	95	420	285	125	50	94	230	185	40	12	12	31	35	480	250	320	510

TECHNICAL DATA 技术参数

TYPE 型号	Output Power 输出功率		Current 电流 (A)	Capacitor 电容器 (F)	H.max 最高扬程 (m)	Q.max 最大流量 (l/min)	Size 进出口径 (inch)	S.Head 最大吸程 (M)	Total head (m) 总扬程	Capacity 流量 l/min								
	KW	HP								20	30	40	50	60	70	80	100	
SCM2-52	1.1	1.5	6.8	30	45	120	1.25"X1"	8		45	44	42	41	40	37	36		
SCM2-60	1.5	2	9.5	40	53	130	1.25"X1"	8		52	51	50	48	46	44	42		
SCM2-68	2.2	3	14	50	60	150	1.5"X1.25"	8		59	59	58	57	56	54	52	46	

标准的电参数及零件配置：单相220V/50Hz、铜叶轮、碳钢轴、马达内置热保护器。可根据客户的其它参数及材料的要求，制作其它单、三相电压、60Hz、双电压、不锈钢轴等规格的产品。
 Standard data and equipment: single phase 220V/50Hz, Brass impeller, carbon steel motor shaft, with terminal protector inside.
 Others model and material such as three phase, 110V, 60Hz, dual voltage, stainless steel shaft, etc, will be available upon request.