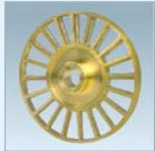


# SOP 系列旋涡泵

## SERIES SELF-PRIMING PERIPHERAL PUMPS



### WORKING CONDITIONS

Max Temperature of Fluid up to +80°C  
 Max Pressure 10bar  
 Max Ambient Temperature up to 40°C

### 工作条件:

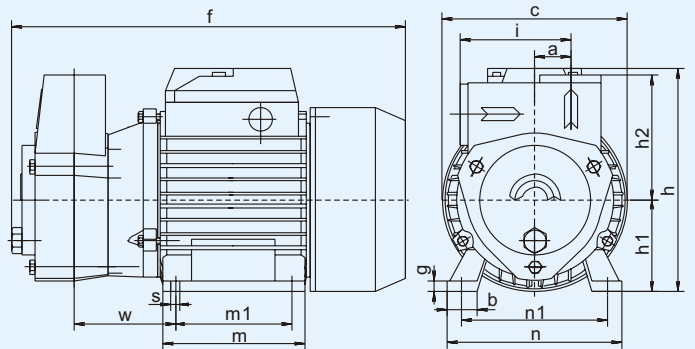
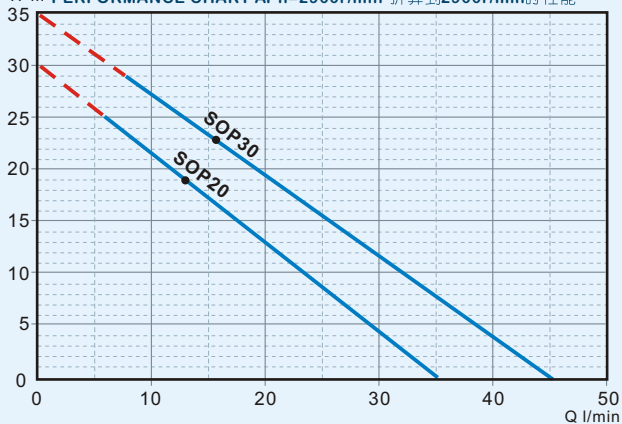
最高流体温度为80°C  
 最大可承受的压力10bar  
 最高环境温度40°C

SOP series self-prime pumps are suitable for pumping clean water, lube oil or diesel oil. They are particularly suitable for domestic or industrial applications such as supply water from well, diesel station, oil circling system and increasing of water or oil pressure.

SOP 系列自吸电泵用于输送清水、润滑油或柴油，适用于家庭或农户或小企业从井中或水池中提水、小型加油站、油循环系统及进行水或油的加压。



H m PERFORMANCE CHART AT n=2900r/min 折算到2900r/min时性能



### DIMENSIONS 安装尺寸

TYPE 型号	Dimensions 外形尺寸mm														Weight重量 (kg)		Packing Size 包装尺寸(mm)			Packing QTY. 包装数量	
	a	f	h1	h2	h	i	c	m	m1	n	n1	w	b	g	s	NW	GW	L	W	H	20'Cont 20'柜
SOP20	28	303	71	96	173	85	142	110	90	134	112	78	23	8	7	10	10.7	320	180	240	1800
SOP30	28	303	71	96	173	85	142	110	90	134	112	78	23	8	7	10.7	11.5	320	180	240	1800

### TECHNICAL DATA 技术参数

TYPE 型号	Input Power 输入功率		Current 电流 (A)	Capacitor 电容器 (F)	H.max 最高扬程 (m)	Q.max 最大流量 (l/min)	Size 进出口径 (inch)	S.Head 最大吸程 (M)	Total head 总扬程 (m)	Capacity 流量 l/min					
	KW	HP								5	10	20	30	40	50
SOP20	0.55	0.75	2.4	12	30	35	1"X1"	8		26	22	14	5	-	-
SOP30	0.75	1	3.7	16	35	45	1"X1"	8		32	28	20	12	5	-

标准的电参数及零件配置：单相220V/50Hz、铜叶轮、碳钢轴、马达内置热保护器。可根据客户的其它参数及材料的要求，制作其它单、三相电压、60Hz、双电压、不锈钢轴等规格的产品。  
**Standard data and equipment:** single phase 220V/50Hz, Brass impeller, carbon steel motor shaft, with terminal protector inside.  
 Others model and material such as three phase, 110V, 60Hz, dual voltage, stainless steel shaft, etc, will be available upon request.